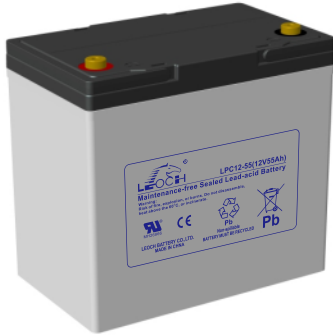


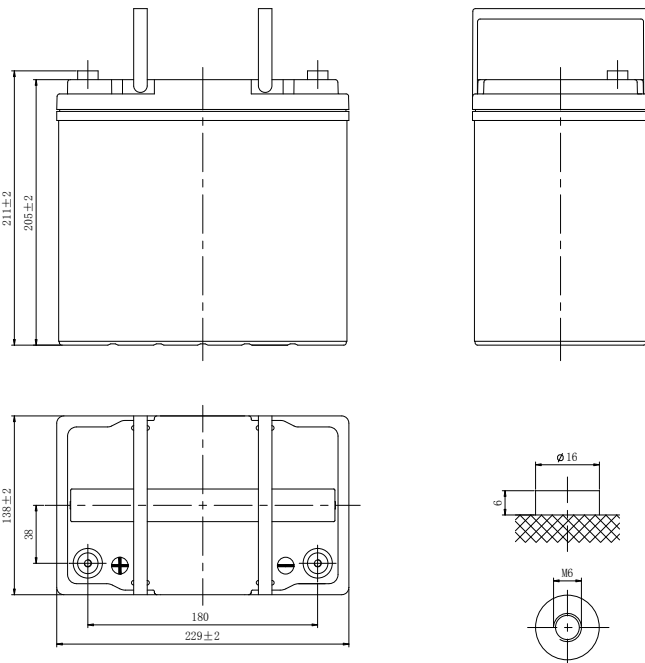
LPC SERIES-CYCLE APPLICATION

LPC12-55 (12V55Ah)



CHARACTERISTICS

Item	Specifications	
Voltage	12V	
Dimension	Length	229mm (9.02inches)
	Width	138mm (5.43inches)
	Container Height	205mm (8.07inches)
	Total Height	211mm (8.31inches)
Approx Weight	16.2kg (35.7lbs)	
Terminal	T6(M6)	
Container Material	ABS	
Short-circuit current	1265A	
Internal Resistance (25°C)	≤ 9 mΩ	
Self Discharge	≤3% per month at 25°C (77°F)	
Capacity	20HR	57.8Ah
	10HR	55Ah
	5HR	50Ah
Operating Temp.Range	Discharge	-20~55°C (-4~131°F)
	Charge	0~40°C (32~104°F)
	Storage	-20~50°C (-4~122°F)



T6

APPLICATIONS

- Electric tool
- Mobility Scooter
- Golf trolley
- Portable lights and instrument
- Electric toy
- Portable power
- Electric wheelchair

STANDARDS

- ACC. to BCI standards
- Manufactured in Leoch® IATF16949, ISO 9001, ISO 14001 and ISO 45001 certified production facilities

LPC SERIES-CYCLE APPLICATION

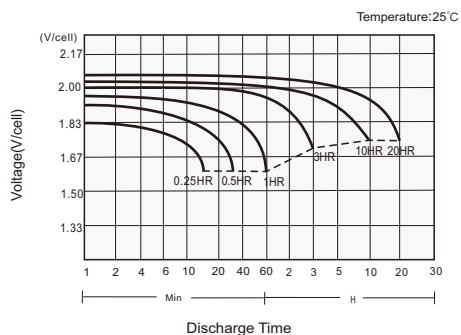
LPC12-55 (12V55Ah)



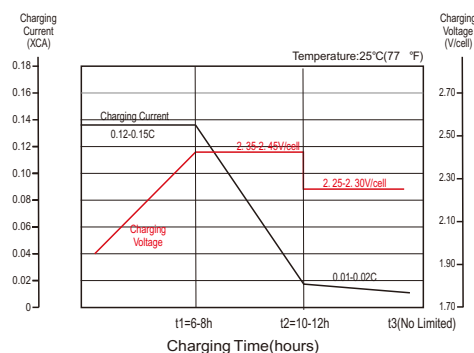
GENERAL FEATURES

- Good cyclic property: Enhanced overcharge endurance and overdischarge recovery property
- Using oxygen recombination technology: maintenance-free
- Lower acid density, excess of electrolyte and larger distance between plates to keep battery at low temperature and slow down plate grid corrosion speed
- Unique plate group configuration, high quality AGM separator and battery management system ensure battery with a longer service life

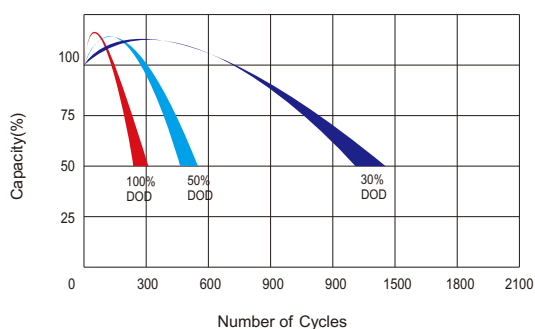
Discharge Characteristics



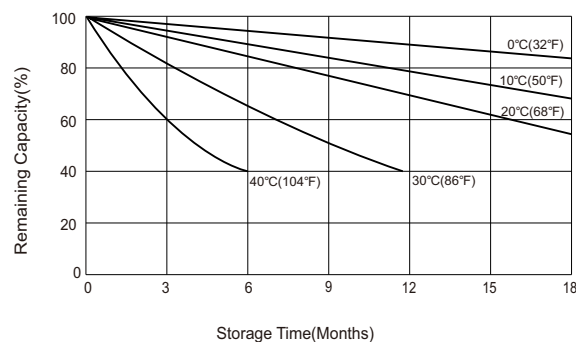
Charging Characteristics



Cycle Life in Relation to Depth of Discharge



Self Discharge Characteristics



Leoch International Technology Ltd.
www.leoch.com

Leoch Batteries Pte Ltd
www.leoch.sg

Leoch Battery Corporation
www.leochamericas.com

Leoch Europe S.A.
www.leoch.eu