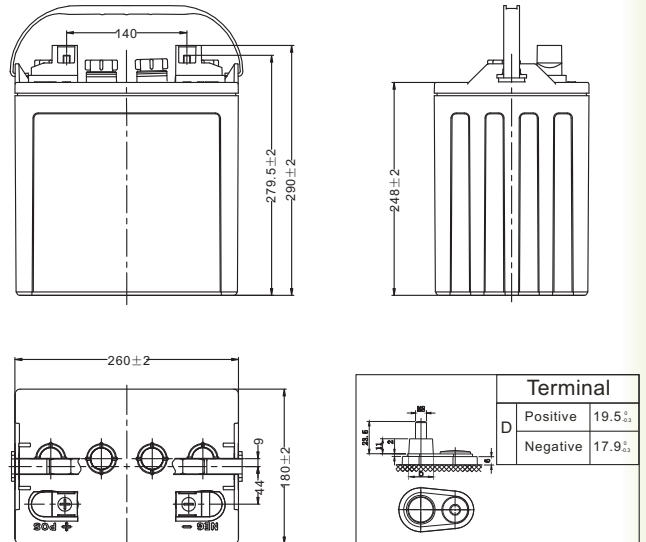


### Physical Specification

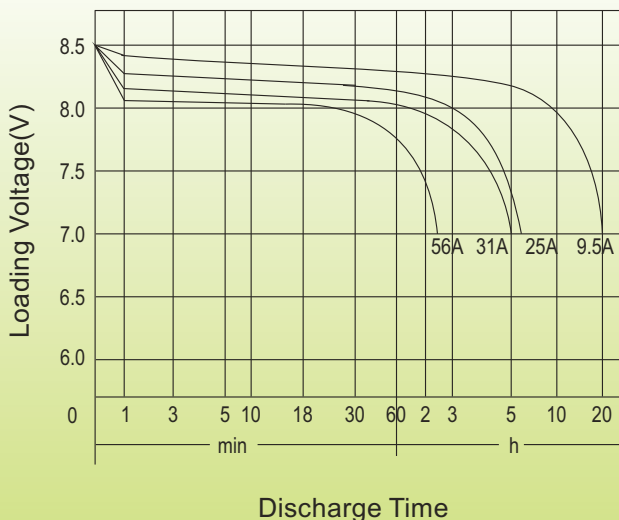
Nominal Voltage	8V
Nominal Capacity(20HR)	190Ah
Nominal Capacity(5HR)	155Ah
Length	260±2mm(10.24inches)
Width	180±2mm(7.09inches)
Container Height	248±2mm(9.76inches)
Total Height	279.5±2mm(11.00inches)
Dry Weight	Approx 23.5Kg(51.8lbs)
Wet Weight	Approx 30.3Kg(66.8lbs)
Acid	1.280±0.015g/cm <sup>3</sup> (25°C)
Standard Terminal	DT-M8(A)
Container Material	PP



### Electrical Specification

Rated Capacity	20 hour rate(9.5A)	190Ah
	5 hour rate(31A)	155Ah
Reserve Capacity	25Amps	340min
	56Amps	132min

### Discharge Characteristics(25°C , 77°F)



### Charge Method

#### Initial Charge:

- ①0.1C<sub>20</sub> (A) charging 15h
- ②0.05C<sub>20</sub> (A) charging 10h

The temperature of the battery should be below 50°C during charging.

#### Supplement Charge:

a)Charging at a constant voltage of 9.8~10V/cell and a limited current 0.25C<sub>20</sub> (A) until the electrolyte density up to 1.280g/cm<sup>3</sup> (30°C) and the current not change for 3 hours.

b)Charge with constant current 0.1C<sub>20</sub> (A) until the voltage between 10.4~11.2V/cell, and voltage maintains for 3 hours and not change.

Two method optional