



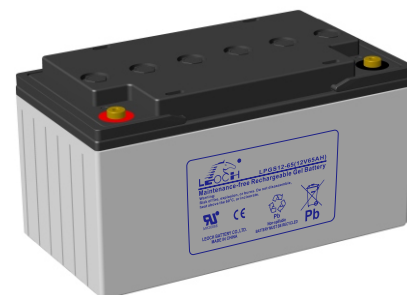
# LPGS Series-Gel Battery

## LPGS12-65(12V65Ah)

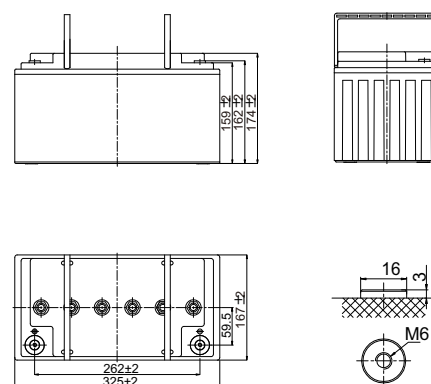


### Specifications

Rated Voltage	12V	
Nominal Capacity	65Ah (C <sub>10</sub> , 1.80V/cell)	
Dimension	Length	325±2mm (12.8 inches)
	Width	167±2mm (6.57 inches)
	Container Height	174±2mm (6.85 inches)
	Total Height	174±2mm (6.85 inches)
Approx Weight	21.2 Kg (46.7 lbs)	
Terminal	M6	
Container Material	ABS	
Rated Capacity (25°C)	67.0 Ah	(20hr, 3.35A, 1.80V/cell)
	65.0 Ah	(10hr, 6.50A, 1.80V/cell)
	55.5 Ah	(5hr, 11.1A, 1.75V/cell)
	48.0 Ah	(3hr, 16.0A, 1.75V/cell)
	37.0 Ah	(1hr, 37.0A, 1.65V/cell)
Max. Discharge Current	650A (5s)	
Internal Resistance (25°C)	Approx 7.0mΩ	
Operating Temp. Range	Discharge : -20 ~ 55°C (-4 ~ 131°F)	
	Charge : -20 ~ 40°C (-4 ~ 104°F)	
	Storage : -20 ~ 50°C (-4 ~ 122°F)	
Nominal Operating Temp. Range	25±3°C (77±5°F)	
Cycle Use	Initial Charging Current less than 16.3A. Voltage 14.4V~15.0V at 25°C(77°F)Temp. Coefficient -30mV/°C	
Standby Use	Initial Charging Current less than 16.3A. Voltage 13.5V~13.8V at 25°C(77°F)Temp. Coefficient -20mV/°C	
Effect of temp. to Capacity	40°C (104°F)	103%
	25°C (77°F)	100%
	0°C (32°F)	86%
Self Discharge	LPGS series batteries may be stored for up to 6 months at 25°C(77°F) and then a freshening charge is required. For higher temperatures the time interval will be shorter.	



### Layout



### Constant Current Discharge (Amperes) at 25 °C (77°F)

F.V/Time	5min	10min	15min	20min	30min	45min	1h	2h	3h	4h	5h	6h	8h	10h	20h
1.85V/cell	104.8	82.4	70.1	58.6	46.3	35.2	29.1	18.5	14.4	11.8	10.0	8.74	7.12	6.03	3.25
1.80V/cell	138.6	103.7	83.4	68.3	53.3	39.9	32.4	20.1	15.4	12.6	10.8	9.38	7.59	6.50	3.35
1.75V/cell	159.5	116.3	93.0	74.9	56.8	42.2	34.2	21.1	16.0	13.0	11.1	9.64	7.72	6.57	3.38
1.70V/cell	177.7	128.3	100.5	79.7	59.9	44.3	35.7	22.1	16.5	13.4	11.3	9.85	7.82	6.60	3.45
1.65V/cell	194.1	137.1	105.8	83.8	62.8	45.7	37.0	22.7	17.2	13.8	11.6	10.1	7.95	6.66	3.48
1.60V/cell	215.8	150.1	114.1	90.0	66.7	48.3	38.8	23.5	17.8	14.1	11.8	10.3	8.04	6.77	3.51

### Constant Power Discharge (Watts/cell) at 25 °C (77°F)

F.V/Time	5min	10min	15min	20min	30min	45min	1h	2h	3h	4h	5h	6h	8h	10h	20h
1.85V/cell	193.1	153.4	131.7	111.3	88.7	67.9	56.4	36.0	28.1	23.2	19.7	17.3	14.1	12.0	6.46
1.80V/cell	252.9	191.0	154.9	127.9	100.9	76.5	62.4	39.0	30.0	24.6	21.1	18.4	15.0	12.9	6.65
1.75V/cell	284.6	210.6	170.4	138.9	106.6	80.2	65.7	40.7	31.0	25.3	21.6	18.9	15.2	13.0	6.70
1.70V/cell	307.8	226.6	181.2	146.4	111.6	83.8	68.3	42.5	32.0	26.0	22.1	19.3	15.4	13.1	6.83
1.65V/cell	330.7	239.5	189.0	152.6	115.8	85.6	70.2	43.5	33.1	26.7	22.5	19.6	15.6	13.2	6.88
1.60V/cell	359.2	256.1	200.4	162.0	122.1	89.9	73.2	44.8	34.1	27.2	22.9	20.0	15.8	13.4	6.94



# LPGS Series-Gel Battery

## LPGS12-65(12V65Ah)



### Applications

- Communication power supply
- Engine starting
- Pump systems
- Alarm installations
- Marine and power stations

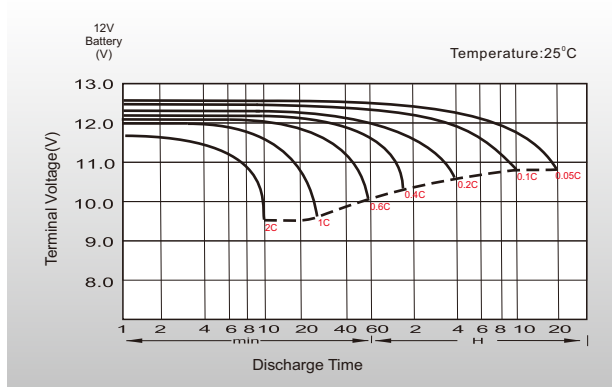
### General Features

- Adopted advantage AGM-GEL technology
- Operation temperature -20 55°C
- ≤3% Self discharge @25°C

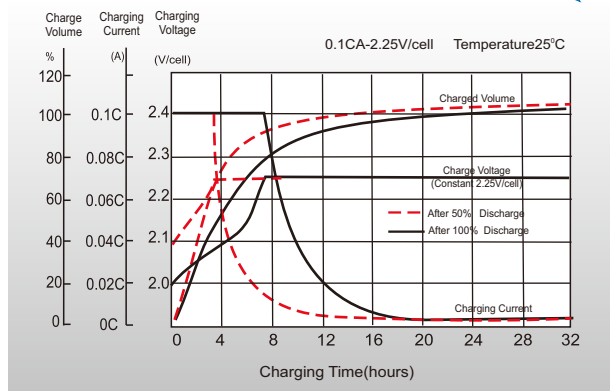
### Standards

- IEC 60896 Certified
- Classified as "Long Life" according to Eurobat
- UL Certified, CE Certified
- Manufactured in Leoch® IATF 16949, ISO 9001, ISO 14001 and ISO 45001 certified production facilities

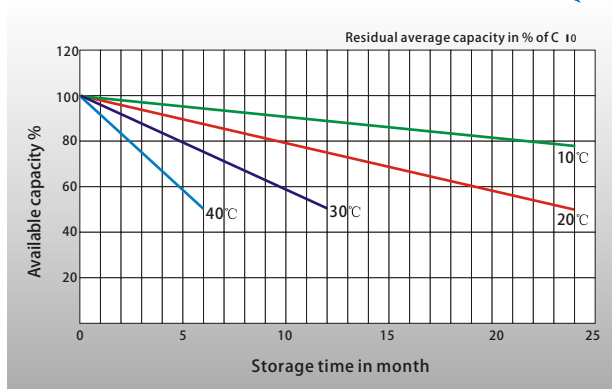
### Discharge Characteristics



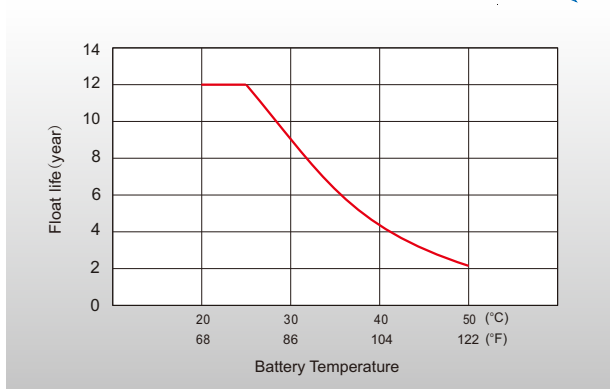
### Float Charging Characteristics



### General Relation of Capacity VS. Storage Time



### Effect of Temperature on Long Term Float Life



### Sales Offices Worldwide

#### China Sales Office

5th Floor, Xinbaohui Bldg., Nanhai Blvd.,  
Nanshan, Shenzhen, China. 518052  
Tel: +86-755-86036060 (100 lines)  
Fax: +86-755-26067269  
E-mail: export@leoch.com

#### HongKong Sales Office

Workshop C, 33/F, TML Tower, No. 3 Hoi Shing Road,  
Tsuen Wan, New Territories, Hong Kong  
Tel: +852 35786666  
Fax: +44 1452 690125  
E-mail: sales.hk@leoch.com

#### Singapore Sales Office

No. 1 Tech Park Crescent,  
Singapore 638131  
Tel: +65 68636078  
Fax: +65 6863 6079  
Email: sales.sg@Leoch.com

#### Australia Sales Office

2/29 Tarlington Place, Smithfield, NSW 2164  
Australia  
Tel: 02 9756 0950  
E-mail: sales.au@leoch.com

#### North America Sales Office

19751 Descartes  
Foothill Ranch, CA 92610, USA  
Tel: 949-588-5853  
Fax: 949-588-5966  
E-mail: sales@leoch.us

#### UK Sales Office

9B Wheatstone Court, Waterwells, Business Park,  
Gloucester, GL2-2AQ, UK United Kingdom  
Tel: +44(0) 1452 729428 / 1452 729696  
Fax: +44 1452 690125  
E-mail: Sales.Europe@leoch.com

#### EMEA Sales Office

1 Deligiorgi St., 121 31 Athens,  
Greece  
Tel: +30 210 5760318 (2 lines)  
E-mail: support\_EMEA@leoch.com

#### India Sales Office

Shed no. A-53(b), 2nd Stage of Peenya Industrial Area,  
Bangalore North Taluk, Bangalore-560058, India  
Tel: +91-80-23440018/23440019  
Fax: +91-80-23440017  
E-mail: indiasales@leoch.com