



# LPGS Series-Gel Battery

## LPGS12-75(12V75Ah)

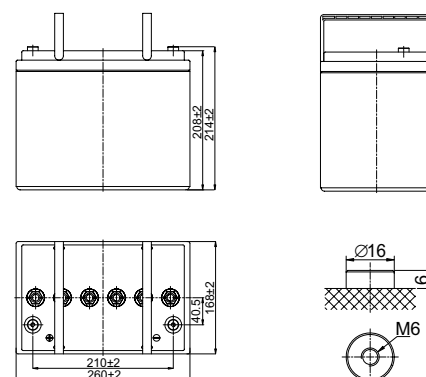


### Specifications

Rated Voltage	12V	
Nominal Capacity	75Ah (C <sub>10</sub> , 1.80V/cell)	
Dimension	Length	260±2mm (10.2 inches)
	Width	168±2mm (6.61 inches)
	Container Height	208±2mm (8.19 inches)
	Total Height	214±2mm (8.43 inches)
Approx Weight	22.5 Kg (49.6 lbs)	
Terminal	M6	
Container Material	ABS	
Rated Capacity (25°C)	77.2 Ah	(20hr, 3.86A, 1.80V/cell)
	75.0 Ah	(10hr, 7.50A, 1.80V/cell)
	64.0 Ah	(5hr, 12.8A, 1.75V/cell)
	55.5 Ah	(3hr, 18.5A, 1.75V/cell)
	42.7 Ah	(1hr, 42.7A, 1.65V/cell)
Max. Discharge Current	750A (5s)	
Internal Resistance (25°C)	Approx 6.6mΩ	
Operating Temp. Range	Discharge : -20 ~ 55°C (-4 ~ 131°F)	
	Charge : -20 ~ 40°C (-4 ~ 104°F)	
	Storage : -20 ~ 50°C (-4 ~ 122°F)	
Nominal Operating Temp. Range	25±3°C (77±5°F)	
Cycle Use	Initial Charging Current less than 18.8A. Voltage 14.4V~15.0V at 25°C(77°F)Temp. Coefficient -30mV/°C	
Standby Use	Initial Charging Current less than 18.8A. Voltage 13.5V~13.8V at 25°C(77°F)Temp. Coefficient -20mV/°C	
Effect of temp. to Capacity	40°C (104°F)	103%
	25°C (77°F)	100%
	0°C (32°F)	86%
Self Discharge	LPGS series batteries may be stored for up to 6 months at 25°C(77°F) and then a freshening charge is required. For higher temperatures the time interval will be shorter.	



### Layout



### Constant Current Discharge (Amperes) at 25 °C (77°F)

F.V/Time	5min	10min	15min	20min	30min	45min	1h	2h	3h	4h	5h	6h	8h	10h	20h
1.85V/cell	120.9	95.1	80.8	67.6	53.4	40.6	33.6	21.3	16.6	13.6	11.6	10.1	8.21	6.96	3.75
1.80V/cell	159.9	119.7	96.3	78.8	61.5	46.1	37.4	23.2	17.8	14.5	12.5	10.8	8.76	7.50	3.86
1.75V/cell	184.0	134.2	107.3	86.5	65.5	48.7	39.5	24.3	18.5	15.0	12.8	11.1	8.91	7.58	3.90
1.70V/cell	205.1	148.0	115.9	92.0	69.1	51.1	41.2	25.5	19.1	15.5	13.1	11.4	9.03	7.61	3.98
1.65V/cell	223.9	158.2	122.1	96.7	72.4	52.7	42.7	26.2	19.8	15.9	13.4	11.6	9.17	7.69	4.01
1.60V/cell	249.0	173.2	131.6	103.9	77.0	55.7	44.8	27.2	20.5	16.3	13.7	11.9	9.28	7.82	4.05

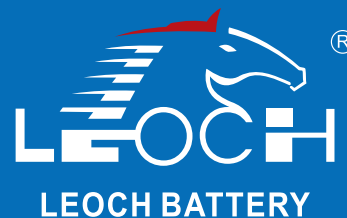
### Constant Power Discharge (Watts/cell) at 25 °C (77°F)

F.V/Time	5min	10min	15min	20min	30min	45min	1h	2h	3h	4h	5h	6h	8h	10h	20h
1.85V/cell	222.8	177.0	152.0	128.4	102.4	78.4	65.1	41.6	32.4	26.7	22.8	19.9	16.3	13.8	7.46
1.80V/cell	291.8	220.4	178.7	147.5	116.4	88.3	72.0	45.0	34.7	28.3	24.4	21.3	17.3	14.9	7.67
1.75V/cell	328.4	243.0	196.6	160.3	123.0	92.5	75.8	46.9	35.8	29.2	24.9	21.8	17.6	15.0	7.73
1.70V/cell	355.1	261.4	209.1	168.9	128.8	96.6	78.8	49.1	36.9	30.0	25.5	22.2	17.8	15.1	7.88
1.65V/cell	381.6	276.3	218.1	176.0	133.7	98.7	81.1	50.1	38.2	30.8	26.0	22.7	18.0	15.2	7.94
1.60V/cell	414.5	295.5	231.2	187.0	140.9	103.7	84.5	51.7	39.3	31.4	26.4	23.1	18.2	15.4	8.00



# LPGS Series-Gel Battery

## LPGS12-75(12V75Ah)



### Applications

- Communication power supply
- Engine starting
- Pump systems
- Alarm installations
- Marine and power stations

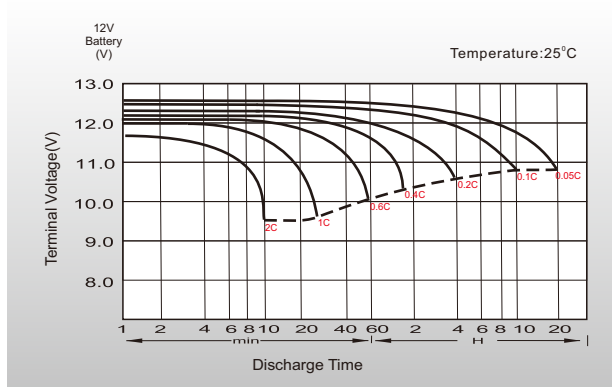
### General Features

- Adopted advantage AGM-GEL technology
- Operation temperature  $-20\sim 55^{\circ}\text{C}$
- $\leq 3\%$  Self discharge @ $25^{\circ}\text{C}$

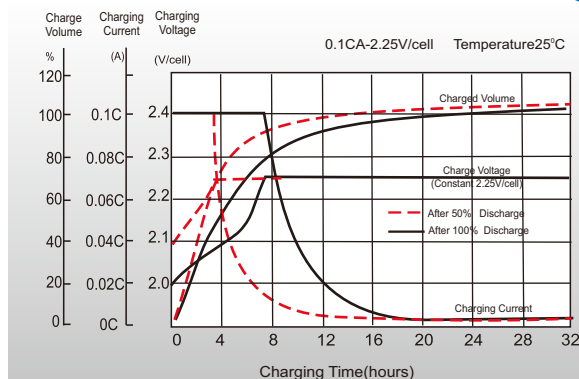
### Standards

- IEC 60896 Certified
- Classified as "Long Life" according to Eurobat
- UL Certified, CE Certified
- Manufactured in Leoch® IATF16949, ISO 9001, ISO 14001 and ISO 45001 certified production facilities

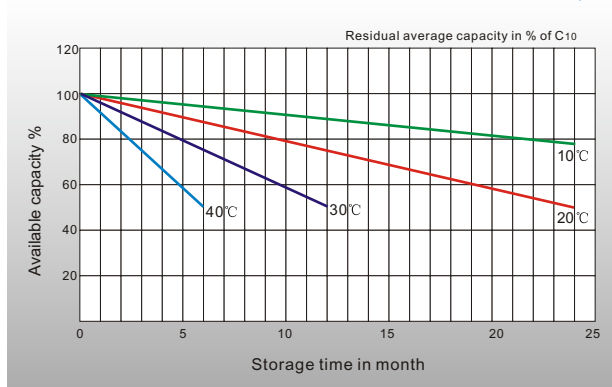
### Discharge Characteristics



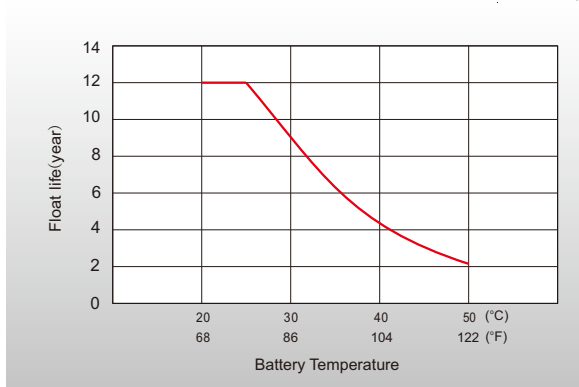
### Float Charging Characteristics



### General Relation of Capacity VS. Storage Time



### Effect of Temperature on Long Term Float Life



### Sales Offices Worldwide

#### China Sales Office

5th Floor, Xinbaohui Bldg., Nanhai Blvd.,  
Nanshan, Shenzhen, China. 518052  
Tel: +86-755-86036060 (100 lines)  
Fax: +86-755-26067269  
E-mail: export@leoch.com

#### HongKong Sales Office

Workshop C, 33/F, TML Tower, No. 3 Hoi Shing Road,  
Tsuen Wan, New Territories, Hong Kong  
Tel: +852 35786666  
Fax: +44 1452 690125  
E-mail: sales.hk@leoch.com

#### Singapore Sales Office

No. 1 Tech Park Crescent,  
Singapore 638131  
Tel: +65 68636078  
Fax: +65 6863 6079  
Email: sales.sg@Leoch.com

#### Australia Sales Office

2/29 Tarlington Place, Smithfield, NSW 2164  
Australia  
Tel: 02 9756 0950  
E-mail: sales.au@leoch.com

#### North America Sales Office

19751 Descartes  
Foothill Ranch, CA 92610, USA  
Tel: 949-588-5853  
Fax: 949-588-5966  
E-mail: sales@leoch.us

#### UK Sales Office

9B Wheatstone Court, Waterwells, Business Park,  
Gloucester, GL2-2AQ, UK United Kingdom  
Tel: +44(0) 1452 729428 / 1452 729696  
Fax: +44 1452 690125  
E-mail: Sales.Europe@leoch.com

#### EMEA Sales Office

1 Deligiorgi St., 121 31 Athens,  
Greece  
Tel: +30 210 5760318 (2 lines)  
E-mail: support\_EMEA@leoch.com

#### India Sales Office

Shed no. A-53(b), 2nd Stage of Peenya Industrial Area,  
Bangalore North Taluk, Bangalore-560058, India  
Tel: +91-80-23440018/23440019  
Fax: +91-80-23440017  
E-mail: indiasales@leoch.com