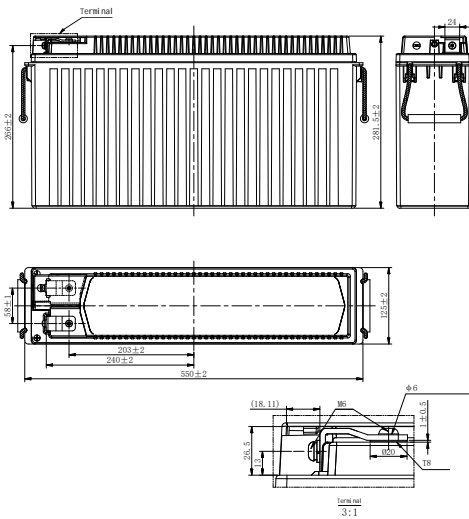
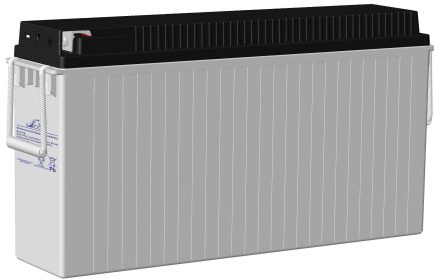


LPF SERIES-FRONT TERMINAL

LPF12-150V (12V150Ah)



CHARACTERISTICS

Item	Specifications	
Rated Voltage	12V	
Nominal Capacity (25°C)	C ₁₀ : 1.80V/cell	150Ah
Dimension	Length	550mm (21.7inches)
	Width	125mm (4.92inches)
	Container Height	281.5mm (11.1inches)
	Total Height	281.5mm (11.1inches)
Approx Weight	50.6kg (111.6lbs)	
Terminal	T8(M6)	
Container Material	ABS (UL94 HB or V-0 optional)	
Short-circuit current	2400A	
Internal Resistance (25°C)	Approx 4.3 mΩ (Fully charged)	
Operating Temp. Range	Discharge	-15~50°C (5~122°F)
	Charge	-20~40°C (-4~104°F)
	Storage	-15~40°C (5~104°F)
Nominal Operating Temp. Range	25±3°C (77±5°F)	
Max.Charging Current (25°C)	0.3C	
Charge voltage (25°C)	Float Charge	Equalization Charge
	2.25-2.30V/cell	2.35-2.40V/cell
Temp. Coefficient	-3mV/cell/°C	-5mV/cell/°C
	40°C (104°F)	103%
Effect of temp. to Capacity	25°C (77°F)	100%
	0°C (32°F)	86%
	≤3% per month at 25°C (77°F). LPF series batteries may be stored up to 6 months at 25°C (77°F) and then a freshening charge is required. For higher temperatures the time interval will be shorter.	
Self Discharge		

DISCHARGE TABLE

Constant Current Discharge (Amperes) at 25°C (77°F)													
F.V/Time	15min	20min	30min	45min	1h	2h	3h	4h	5h	6h	8h	10h	20h
1.85V/cell	216.6	189.9	147.6	112.0	90.3	53.0	38.2	30.7	25.4	22.1	17.3	14.3	7.60
1.80V/cell	242.4	207.0	158.1	118.8	94.9	55.9	40.6	32.2	26.7	23.2	18.1	15.0	7.94
1.75V/cell	260.4	220.1	165.0	122.8	98.2	57.0	41.3	33.1	27.3	23.6	18.3	15.2	8.06
1.70V/cell	273.0	227.3	169.5	125.4	99.6	57.8	41.7	33.3	27.5	23.8	18.5	15.3	8.12
1.67V/cell	283.2	234.0	173.7	127.6	101.0	58.4	42.1	33.5	27.7	24.1	18.8	15.5	8.16
1.60V/cell	292.2	240.8	178.8	130.2	102.6	59.0	42.8	34.2	28.5	24.6	19.2	15.8	8.21
Constant Power Discharge (Watts/cell) at 25°C (77°F)													
F.V/Time	15min	20min	30min	45min	1h	2h	3h	4h	5h	6h	8h	10h	20h
1.85V/cell	408.5	361.8	284.3	217.5	176.0	104.0	75.1	60.6	50.3	43.8	34.6	28.7	15.2
1.80V/cell	451.1	388.6	299.9	229.0	183.9	109.0	79.5	63.4	52.6	45.9	35.9	29.9	15.9
1.75V/cell	478.7	409.2	310.4	234.4	189.6	110.7	80.5	64.8	53.6	46.5	36.3	30.3	16.1
1.70V/cell	494.9	419.4	317.1	238.5	191.5	112.0	81.2	65.0	53.8	46.9	36.7	30.5	16.2
1.67V/cell	511.3	430.1	324.3	241.9	193.7	112.9	81.8	65.5	54.3	47.4	37.2	30.8	16.3
1.60V/cell	517.1	436.3	329.5	244.1	194.9	113.0	82.6	66.5	55.5	48.1	37.9	31.3	16.3

LPF SERIES-FRONT TERMINAL

LPF12-150V (12V150Ah)



APPLICATIONS

- For standard power cabinet
- Network connection equipment of communication system
- Power system of special network of local area network
- Power station systems
- UPS

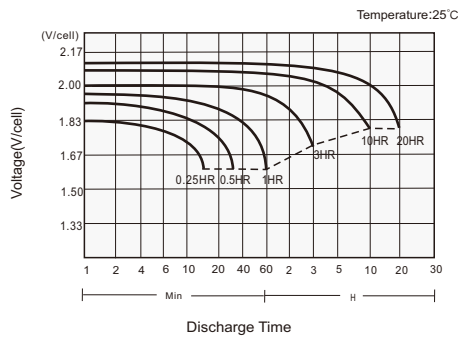
GENERAL FEATURES

- 12+ years design life (25°C)
- Puncture resistant micro-porous glass mat separators extend life
- Flame-arresting, one-way pressure-relief vent for safety and long life
- Front access design for easy installation and maintenance
- Epoxy-sealed posts eliminate leaks

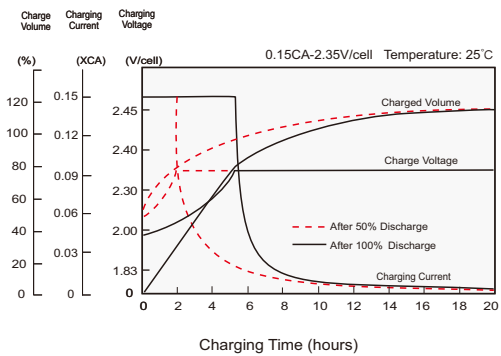
STANDARDS

- Compliance with IEC 60896 standards, EU Battery Directive
- UL, CE Approved
- Manufactured in Leoch@IATF 16949, ISO 45001, ISO 9001 and ISO 14001 certified production facilities

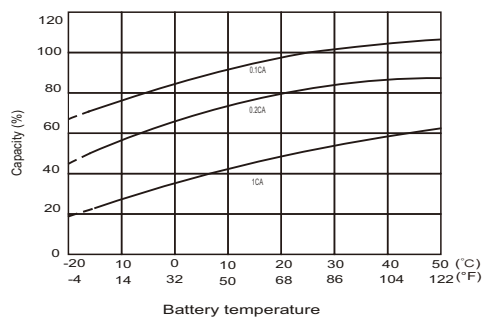
Discharge Characteristics



Charging Characteristics



Effects of Temperature on Capacity



Self Discharge Characteristics

