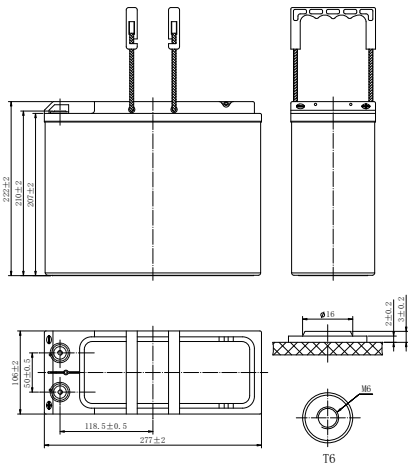


LPF SERIES-FRONT TERMINAL

LPF12-40 (12V40Ah)



CHARACTERISTICS

Item	Specifications	
Rated Voltage	12V	
Nominal Capacity (25°C)	C ₁₀ , 1.80V/cell	40Ah
Dimension	Length	277mm (10.9inches)
	Width	106mm (4.17inches)
	Container Height	222mm (8.74inches)
	Total Height	222mm (8.74inches)
Approx Weight	14.6kg (32.2lbs)	
Terminal	T6(M6)	
Container Material	ABS (UL94 HB or V-0 optional)	
Short-circuit current	920A	
Internal Resistance (25°C)	Approx 9 mΩ (Fully charged)	
Operating Temp. Range	Discharge	-15~50°C (5~122°F)
	Charge	-20~40°C (-4~104°F)
	Storage	-15~40°C (5~104°F)
Nominal Operating Temp. Range	25±3°C (77±5°F)	
Max.Charging Current (25°C)	0.3C	
Charge voltage (25°C)	Standby Use	Cycle Use
	2.25-2.30V/cell	2.35-2.40V/cell
Temp. Coefficient	-3mV/cell/°C	
	-5mV/cell/°C	
Effect of temp. to Capacity	40°C (104°F)	103%
	25°C (77°F)	100%
	0°C (32°F)	86%
Self Discharge	≤3% per month at 25°C (77°F).	
	LPF series batteries may be stored up to 6 months at 25°C (77°F) and then a freshening charge is required. For higher temperatures the time interval will be shorter.	

DISCHARGE TABLE

Constant Current Discharge (Amperes) at 25°C (77°F)													
F.V/Time	15min	20min	30min	45min	1h	2h	3h	4h	5h	6h	8h	10h	20h
1.85V/cell	59.3	51.3	40.3	30.2	22.8	13.7	10.3	8.21	6.86	6.05	4.57	3.75	2.01
1.80V/cell	66.7	56.8	43.5	32.0	25.2	14.9	11.2	8.85	7.39	6.22	4.90	4.00	2.10
1.75V/cell	70.7	59.4	45.1	32.9	26.1	15.3	11.4	9.07	7.56	6.34	4.98	4.06	2.15
1.70V/cell	73.3	61.3	46.4	33.6	27.1	15.8	11.8	9.30	7.73	6.46	5.07	4.13	2.17
1.67V/cell	75.2	62.8	47.3	34.2	27.6	16.1	12.0	9.43	7.83	6.51	5.13	4.16	2.19
1.60V/cell	77.4	64.1	48.3	34.7	29.0	16.7	12.4	9.74	8.07	6.59	5.25	4.25	2.23
Constant Power Discharge (Watts/cell) at 25°C (77°F)													
F.V/Time	15min	20min	30min	45min	1h	2h	3h	4h	5h	6h	8h	10h	20h
1.85V/cell	109.4	94.8	75.2	58.8	44.2	26.7	20.2	16.1	13.5	12.1	9.04	7.42	4.00
1.80V/cell	123.6	103.4	81.0	62.8	48.6	28.9	21.8	17.3	14.5	12.7	9.65	7.90	4.17
1.75V/cell	129.4	109.3	84.4	64.5	50.1	29.6	22.3	17.7	14.8	12.9	9.81	8.01	4.26
1.70V/cell	135.2	112.9	86.4	65.8	51.6	30.4	22.8	18.1	15.1	13.0	10.0	8.13	4.31
1.67V/cell	138.7	114.7	87.3	65.8	52.4	30.8	23.1	18.3	15.2	13.1	10.1	8.19	4.34
1.60V/cell	145.9	118.2	89.2	66.8	54.4	31.9	23.8	18.8	15.6	13.3	10.3	8.34	4.42

LPF SERIES-FRONT TERMINAL

LPF12-40 (12V40Ah)



APPLICATIONS

- For standard power cabinet
- Network connection equipment of communication system
- Power system of special network of local area network
- Power station systems
- UPS

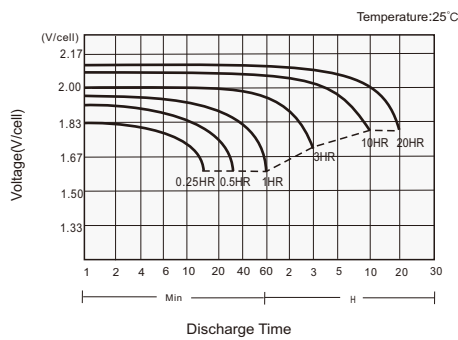
GENERAL FEATURES

- 12+ years design life (25°C)
- Puncture resistant micro-porous glass mat separators extend life
- Flame-arresting, one-way pressure-relief vent for safety and long life
- Front access design for easy installation and maintenance
- Epoxy-sealed posts eliminate leaks

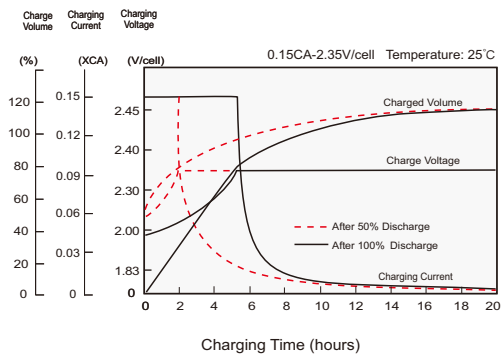
STANDARDS

- Compliance with IEC 60896 standards, EU Battery Directive
- UL, CE Approved
- Manufactured in Leoch@IATF 16949, ISO 45001, ISO 9001 and ISO 14001 certified production facilities

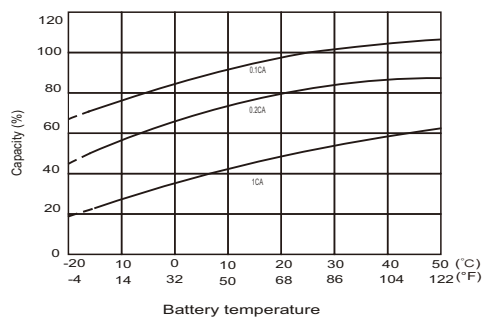
Discharge Characteristics



Charging Characteristics



Effects of Temperature on Capacity



Self Discharge Characteristics

