

# LPF SERIES-Front Terminal

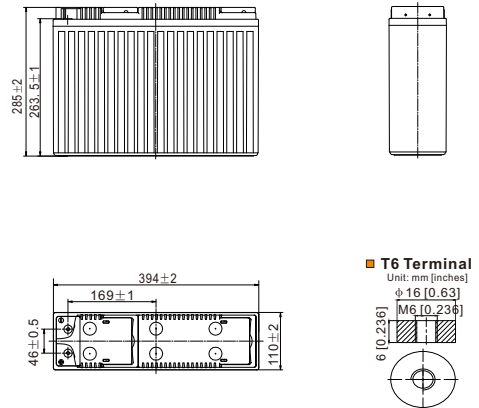
## LPF12-90 (12V90Ah)

### Specification

Nominal Voltage	12V	
Rated Capacity	90.0Ah (C <sub>10</sub> , 1.80V/cell)	
Dimension	Length	394±2mm (15.5 inches)
	Width	110±2mm (4.33 inches)
	Container Height	285±2mm (11.2 inches)
	Total Height (with Terminal)	285±2mm (11.2 inches)
Approx Weight	Approx 31.0 Kg (68.4 lbs)	
Terminal	M6	
Container Material	ABS	
Capacity(25°C/77°F)	100.0Ah	(20hr, 5.00A, 1.80V/cell)
	90.0Ah	(10hr, 9.00A, 1.80V/cell)
	88.8Ah	(8hr, 11.1A, 1.75V/cell)
	82.0Ah	(5hr, 16.4A, 1.75V/cell)
	61.4Ah	(1hr, 61.4A, 1.67V/cell)
Max. Discharge Current	900A (5s)	
Internal Resistance	Approx 4.5mΩ	
Operating Temp. Range	Discharge : -15~50°C (5~122°F)	
	Charge : 0~40°C (32~104°F)	
	Storage : -15~40°C (5~104°F)	
Nominal Operating Temp. Range	25±3°C (77±5°F)	
Boost Charge	Initial Charging Current less than 27.0A. Voltage 14.1V~14.4V at 25°C(77°F)Temp. Coefficient -30mV/°C	
Standby Use	No limit on Initial Charging Current Voltage 13.5V~13.8V at 25°C(77°F)Temp. Coefficient -20mV/°C	
Capacity affected by Temperature	40°C (104°F)	103%
	25°C (77°F)	100%
	0°C (32°F)	86%
Self Discharge (3%/month)	LPF series batteries may be stored for up to 6 months at 25°C(77°F) and then a freshening charge is required. For higher temperatures the time interval will be shorter.	



### Layout



### Constant Current Discharge (Amperes) at 25 °C (77°F)

F.V/Time	10min	15min	20min	30min	45min	1h	2h	3h	4h	5h	6h	8h	10h	20h
1.85V/cell	136.5	119.2	106.1	85.7	66.8	54.1	31.5	22.9	18.3	15.4	13.4	10.5	8.58	4.78
1.80V/cell	155.1	132.7	116.1	92.1	70.7	56.9	32.8	23.9	19.1	16.2	14.1	10.8	9.00	5.00
1.75V/cell	170.8	144.7	123.4	95.8	73.4	58.6	33.5	24.2	19.4	16.4	14.2	11.1	9.55	5.05
1.70V/cell	183.9	152.9	130.0	100.2	75.5	60.1	34.1	24.6	19.7	16.6	14.5	11.3	9.61	5.08
1.67V/cell	192.0	159.3	134.5	102.8	77.1	61.4	34.7	25.0	19.9	16.8	14.6	11.4	9.69	5.11
1.60V/cell	199.6	164.4	137.9	104.9	78.3	62.3	35.3	25.3	20.1	17.0	14.7	11.5	9.74	5.14

### Constant Power Discharge (Watts/cell) at 25 °C (77°F)

F.V/Time	10min	15min	20min	30min	45min	1h	2h	3h	4h	5h	6h	8h	10h	20h
1.85V/cell	260.0	228.9	205.2	166.9	131.0	106.2	62.3	45.5	36.6	30.9	26.9	21.2	18.2	9.66
1.80V/cell	293.2	253.6	223.2	178.9	138.1	111.5	64.8	47.3	37.9	32.4	28.2	22.0	19.0	10.1
1.75V/cell	320.6	274.7	236.0	185.1	142.9	114.6	65.9	48.0	38.5	32.6	28.5	22.2	19.1	10.1
1.70V/cell	340.7	287.0	246.0	191.8	145.8	116.7	66.9	48.7	38.9	32.9	28.9	22.6	19.2	10.2
1.67V/cell	350.1	294.6	251.3	194.5	147.5	118.1	67.7	49.1	39.2	33.1	29.2	22.8	19.4	10.2
1.60V/cell	356.4	299.1	254.1	196.3	148.2	118.7	68.3	49.5	39.5	33.4	29.5	23.0	19.5	10.3

## Applications

- UPS
- For standard power cabinet
- Network connection equipment of communication system
- Power system of special network of local area network
- Power station systems

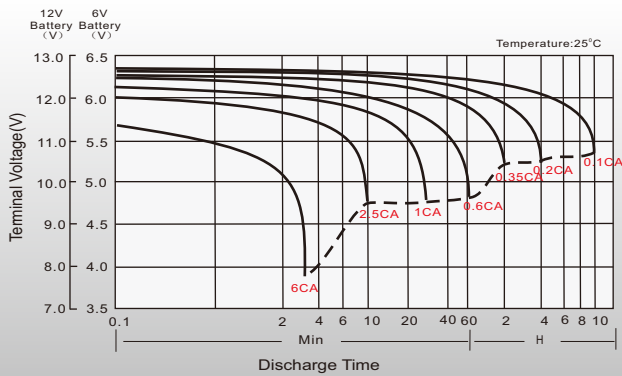
## General Features

- Specifically ideal for 19 inches or 23 inches power cabinets
- Front terminals make the installation, maintenance and supervision easy
- Shield designs protect terminals from short circuit and show good appearance
- Unique vent valve design: reduce water losing and prevent air/spark going inside

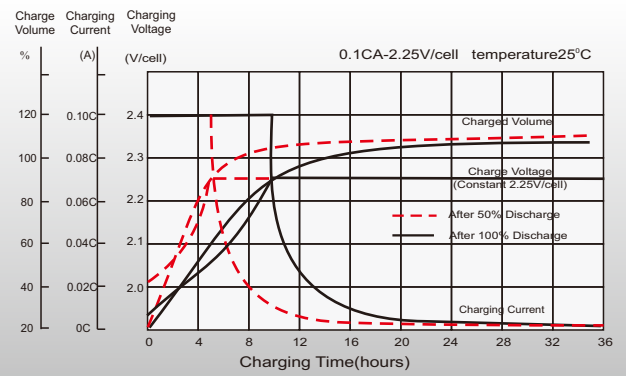
## Standards

- IEC 60896 Certified
- Classified as "Long Life" according to Eurobat
- UL Certified
- Manufactured in Leoch® TS16949, ISO 9001 and ISO 14001 certified production facilities

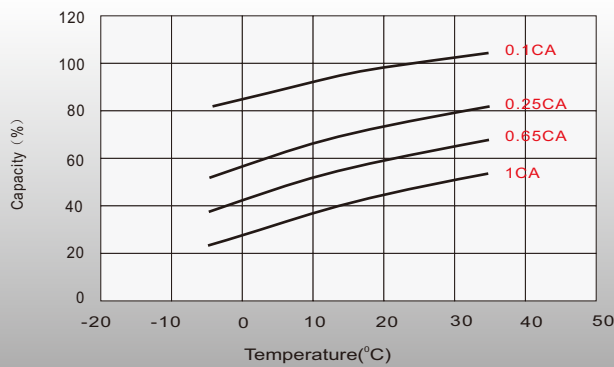
### Discharge Characteristics



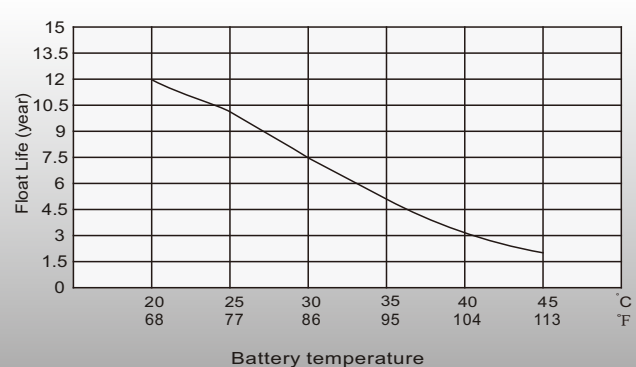
### Float Charging Characteristics



### Temperature Effects in Relation to Battery Capacity



### Effect of Temperature on Long Term Float Life



## Sales Offices Worldwide

### China Sales Office

5th Floor, Xinbaohui Bldg., Nanhai Blvd.,  
Nanshan, Shenzhen, China. 518052  
Tel: +86-755-86036060 (100 lines)  
Fax: +86-755-26067269  
E-mail: export@leoch.com

### HongKong Sales Office

Workshop C, 33/F, TML Tower, No. 3 Hoi Shing Road,  
Tsuen Wan, New Territories, Hong Kong  
Tel: +852 35786666  
Fax: +44 1452 690125  
E-mail: sales.hk@leoch.com

### Singapore Sales Office

No. 1 Tech Park Crescent,  
Singapore 638131  
Tel: +65 68636078  
Fax: +65 6863 6079  
Email: sales.sg@leoch.com

### Australia Sales Office

2 /29 Tarlington Place, Smithfield. NSW 2164  
Australia  
Tel: 02 9756 0950  
E-mail: sales.au@leoch.com

### North America Sales Office

19751 Descartes  
Foothill Ranch, CA 92610, USA  
Tel: 949-588-5853  
Fax: 949-588-5966  
E-mail: sales@leoch.us

### UK Sales Office

9B Wheatstone Court. Waterwells, Business Park,  
Gloucester, GL2-2AQ, UK United Kingdom  
Tel: +44(0) 1452 729428 / 1452 729696  
Fax: +44 1452 690125  
E-mail: Sales.Europe@leoch.com

### EMEA Sales Office

1 Deligiorgi St., 121 31 Athens,  
Greece  
Tel: +30 210 5760318 (2 lines)  
E-mail: support\_EMEA@leoch.com

### India Sales Office

Shed no.A-53(b), 2nd Stage of Peenya Industrial Area,  
Bangalore North Taluk, Bangalore-560058, India  
Tel: +91-80-23440018/23440019  
Fax: +91-80-23440017  
E-mail: indiasales@leoch.com



[Http://www.leoch.com](http://www.leoch.com)

[Http://www.leoch.us](http://www.leoch.us)

© 2017 LEOCH. All rights reserved.

Trademarks and logos are the property of LEOCH and its affiliates unless otherwise noted.  
Subject to revisions without prior notice.

Publication No.:LB-LPF12-90-PD-EN-V1.0-201802