



OPzS Series-Flooded Battery

5 OPzS250(2V250Ah)

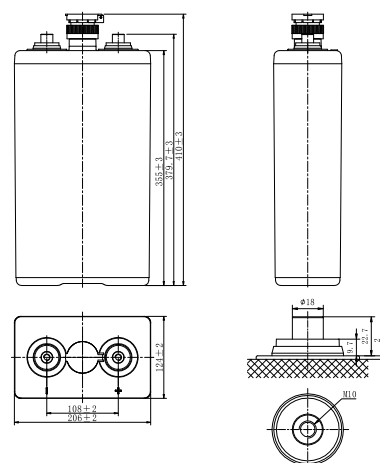


Specifications

Rated Voltage	2V	
Nominal Capacity	$C_{10}, 1.80V/cell$	250.0Ah
Dimension	Length	124±2mm (4.88 inches)
	Width	206±2mm (8.11 inches)
	Container Height	355±3mm (13.98 inches)
	Total Height	410±3mm (16.14 inches)
Approx Weight	Without Electrolyte	15.4kg (33.9lbs)
	With Electrolyte	20.4 kg (45.0lbs)
Terminal	M10	
Container Material	SAN transparent container	
Rated Capacity (25°C)	250.0 Ah	(10hr, 25.0A, 1.80V/cell)
	222.0 Ah	(5hr, 44.4A, 1.75V/cell)
	192.9 Ah	(3hr, 64.3A, 1.75V/cell)
	142.8 Ah	(1hr, 142.8A, 1.60V/cell)
Max. Discharge Current	2000A (5s)	
Internal Resistance (25°C)	Approx 1.10mΩ	
Operating Temp. Range	Discharge	-15 ~ 55°C (5 ~ 131°F)
	Charge	0 ~ 45°C (32 ~ 113°F)
	Storage	-15 ~ 45°C (5 ~ 113°F)
Nominal Operating Temp. Range	25±3°C (77±5°F)	
Cycle Use	Initial Charging Current less than 0.1CA. Voltage 2.35V~2.40V at 20°C(68°F)Temp. Coefficient -3mV/°C	
	Standby Use	
Effect of temp. to Capacity	40°C (104°F)	103%
	25°C (77°F)	100%
	0°C (32°F)	86%
Self Discharge	≤4% per month at 25°C	



Layout



Constant Current Discharge (Amperes) at 20 °C (68°F)

F.V/Time	30 min	45min	1h	1.5h	2h	3h	4h	5h	6h	8h	10h	20h
1.60V/cell	189.5	164.7	142.8	112.5	93.0	69.5	55.9	47.3	40.9	32.4	26.7	14.5
1.65V/cell	178.0	158.3	138.0	109.7	90.9	68.3	55.1	46.6	40.3	32.0	26.4	14.4
1.70V/cell	169.0	149.3	132.8	106.2	88.8	66.3	53.8	45.6	39.6	31.4	26.0	14.2
1.75V/cell	158.5	142.3	126.0	101.2	85.0	64.3	52.2	44.4	38.6	30.9	25.6	13.9
1.80V/cell	141.0	128.3	116.0	94.8	79.9	61.0	50.0	42.6	37.2	30.0	25.0	13.7
1.85V/cell	112.5	106.3	99.3	84.3	72.5	55.8	46.2	39.9	35.0	28.6	23.9	13.1

Constant Power Discharge (Watts/cell) at 20 °C (68°F)

F.V/Time	30 min	45min	1h	1.5h	2h	3h	4h	5h	6h	8h	10h	20h
1.60V/cell	323.5	288.2	253.5	202.2	169.1	127.3	103.2	87.9	76.6	60.9	50.5	27.5
1.65V/cell	310.4	280.4	247.1	198.1	166.1	125.8	102.2	87.2	75.9	60.4	50.1	27.4
1.70V/cell	298.8	267.2	239.4	193.1	162.9	122.7	100.3	85.6	74.7	59.6	49.5	27.1
1.75V/cell	284.9	257.4	229.4	185.3	157.2	119.6	97.7	83.7	73.2	58.8	48.9	26.7
1.80V/cell	256.9	235.6	213.9	175.7	149.0	114.4	94.1	80.7	70.9	57.5	48.1	26.4
1.85V/cell	208.5	198.1	185.7	158.4	136.7	105.8	88.0	76.3	67.3	55.1	46.4	25.6



OPzS Series-Flooded Battery

5 OPzS250(2V250Ah)



Applications

- Telecommunications
- Buoy lighting
- Standby power
- Railway signalling
- Emergency lighting systems
- Alternative power (solar, wind)
- Maritime standby power on ships and ashore

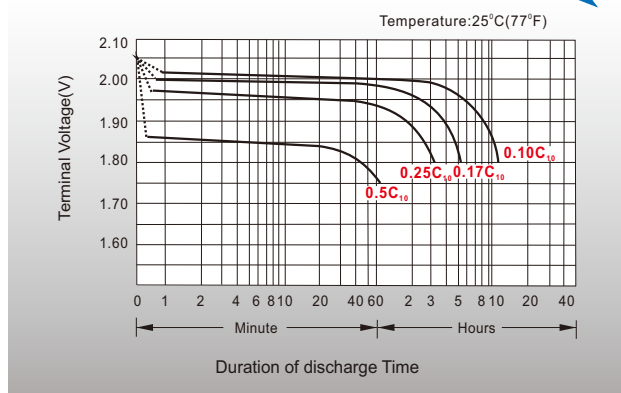
General Features

- 20 years design life(25°C)
- Lower self discharge
- Higher thermal capacity, no thermal runaway will occur
- Superior deep cycle performance
- Wide operation temperature range

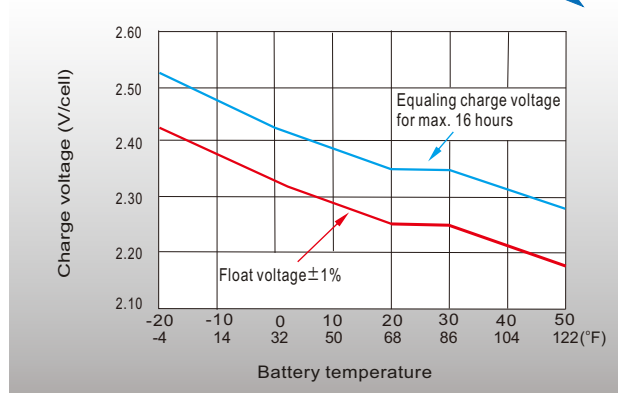
Standards

- Compliance with IEC60896, DIN 40736 standards
- Manufactured in Leoch@IATF 16949, ISO 45001,ISO 9001 and ISO 14001 certified production facilities

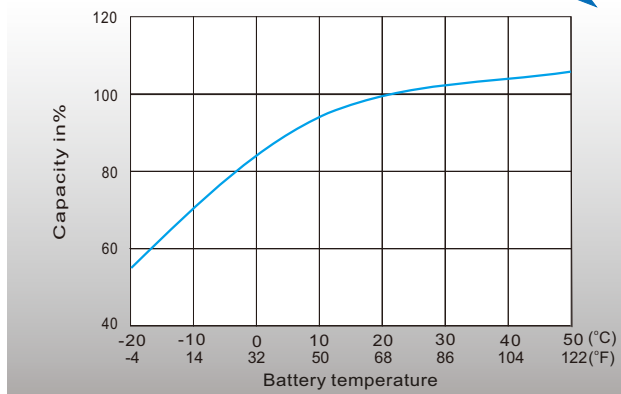
Discharge Characteristics



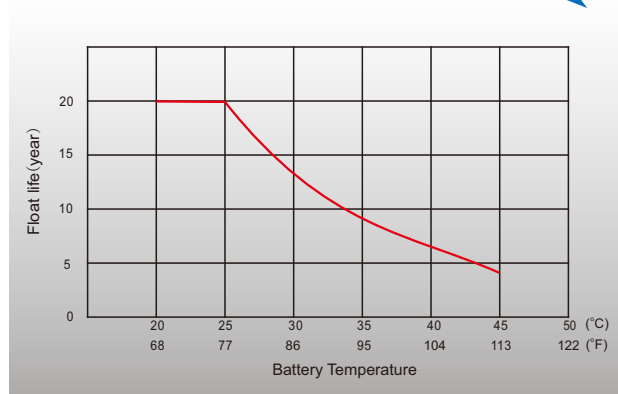
Charge voltage Vs ambient temperature curve



Discharge capacity Vs Ambient temperature curve (I10A)



Float Service Life



Sales Offices Worldwide

China Sales Office
5th Floor, Xinbaohui Bldg., Nanhai Blvd.,
Nanshan, Shenzhen, China. 518052
Tel: +86-755-86036060 (100 lines)
Fax: +86-755-26067269
E-mail: export@leoch.com

HongKong Sales Office
Workshop C, 33/F, TML Tower, No. 3 Hoi Shing Road,
Tsuen Wan, New Territories, Hong Kong
Tel: +852 35786666
Fax: +44 1452 690125
E-mail: sales.hk@leoch.com

Singapore Sales Office
No. 1 Tech Park Crescent,
Singapore 638131
Tel: +65 68636078
Fax: +65 6863 6079
Email: sales.sg@Leoch.com

Australia Sales Office
2/29 Tarlington Place, Smithfield. NSW 2164
Australia
Tel: 02 9756 0950
E-mail: sales.au@leoch.com

North America Sales Office
19751 Descartes
Foothill Ranch, CA 92610, USA
Tel: 949-588-5853
Fax: 949-588-5966
E-mail: sales@leoch.us

UK Sales Office
9B Wheatstone Court, Waterwells, Business Park,
Gloucester, GL2-2AQ, UK United Kingdom
Tel: +44(0) 1452 729428 / 1452 729696
Fax: +44 1452 690125
E-mail: Sales.Europe@leoch.com

EMEA Sales Office
1 Deligiorgi St., 121 31 Athens,
Greece
Tel: +30 210 5760318 (2 lines)
E-mail: support_EMEA@leoch.com

India Sales Office
Shed no.A-53(b), 2nd Stage of Peenya Industrial Area,
Bangalore North Taluk, Bangalore-560058, India
Tel: +91-80-23440018/23440019
Fax: +91-80-23440017
E-mail: indiasales@leoch.com



[Http://www.leoch.com](http://www.leoch.com)
[Http://www.leoch.us](http://www.leoch.us)

© 2021 LEOCH. All rights reserved.
Trademarks and logos are the property of LEOCH and its affiliates unless otherwise noted.
Subject to revisions without prior notice.

Publication No.:LB-5 OPzS250-PD-EN-V2.1-202105