



LPGS Series-Gel Battery

LPGS2-800(2V800Ah)

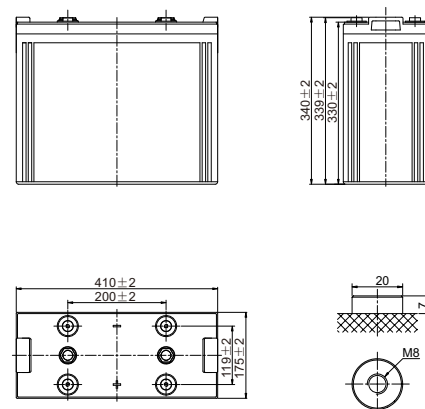


Specifications

Rated Voltage	2V	
Nominal Capacity	800.0Ah	(C ₁₀ , 1.80V/cell)
Dimension	Length	410±2mm (16.1 inches)
	Width	175±2mm (6.89 inches)
	Container Height	330±2mm (13.0 inches)
	Total Height	350±2mm (13.8 inches)
Approx Weight	50.7 Kg (111.8 lbs)	
Terminal	M8	
Container Material	ABS	
Rated Capacity (25°C)	830.0 Ah	(20hr, 41.5A, 1.80V/cell)
	800.0 Ah	(10hr, 80.0A, 1.80V/cell)
	686.0 Ah	(5hr, 137.2A, 1.75V/cell)
	605.1 Ah	(3hr, 201.7A, 1.75V/cell)
	416.5 Ah	(1hr, 416.5A, 1.67V/cell)
Max. Discharge Current	6400A (5s)	
Internal Resistance (25°C)	Approx 0.50mΩ	
Operating Temp. Range	Discharge : -20 ~ 55°C (-4 ~ 131°F)	
	Charge : -20 ~ 40°C (-4 ~ 104°F)	
	Storage : -20 ~ 50°C (-4 ~ 122°F)	
Nominal Operating Temp. Range	25±3°C (77±5°F)	
Cycle Use	Initial Charging Current less than 200.0A. Voltage 2.35V~2.40V at 25°C(77°F) Temp. Coefficient -5mV/°C	
Standby Use	Initial Charging Current less than 200.0A. Voltage 2.25V~2.30V at 25°C(77°F) Temp. Coefficient -3mV/°C	
Effect of temp. to Capacity	40°C (104°F)	103%
	25°C (77°F)	100%
	0°C (32°F)	86%
Self Discharge	LPGS series batteries may be stored for up to 6 months at 25°C(77°F) and then a freshening charge is required. For higher temperatures the time interval will be shorter.	



Layout



Constant Current Discharge (Amperes) at 25 °C (77°F)

F.V/Time	10min	15min	20min	30min	45min	1h	2h	3h	4h	5h	6h	8h	10h	20h
1.85V/cell	907.2	800.1	720.1	595.6	472.3	381.7	237.6	190.9	150.8	129.7	111.1	89.5	76.3	40.5
1.80V/cell	1072.6	908.8	801.6	639.1	496.8	400.5	250.6	200.8	157.6	136.1	116.0	92.9	80.0	41.5
1.75V/cell	1209.6	998.4	864.1	676.8	522.5	403.3	261.0	201.7	162.8	137.2	118.8	94.7	80.7	42.0
1.70V/cell	1298.5	1065.6	924.1	710.2	539.4	405.6	268.7	203.6	166.4	138.1	120.8	96.1	81.2	42.5
1.67V/cell	1346.8	1094.5	924.1	727.5	554.0	416.5	272.7	205.1	168.2	139.1	121.9	96.8	81.7	42.7
1.60V/cell	1449.9	1157.0	988.0	757.9	573.5	432.1	280.1	207.2	171.2	141.2	123.7	98.1	83.1	43.2

Constant Power Discharge (Watts/cell) at 25 °C (77°F)

F.V/Time	10min	15min	20min	30min	45min	1h	2h	3h	4h	5h	6h	8h	10h	20h
1.85V/cell	1705.6	1513.6	1368.4	1138.5	908.3	737.3	461.2	371.7	295.1	254.8	218.8	177.1	151.3	80.4
1.80V/cell	1984.4	1695.1	1505.6	1211.0	948.0	769.1	484.3	388.3	307.0	266.2	227.7	183.3	158.4	82.1
1.75V/cell	2202.7	1836.1	1604.3	1270.4	989.5	771.8	502.6	390.6	316.5	267.2	232.4	186.4	159.5	83.3
1.70V/cell	2328.5	1937.5	1699.2	1322.8	1016.1	773.4	515.1	391.9	322.3	268.3	236.1	189.1	160.5	84.1
1.67V/cell	2390.0	1971.4	1685.2	1343.5	1037.4	789.7	521.0	393.0	325.0	269.3	237.6	190.0	161.3	84.4
1.60V/cell	2510.9	2042.6	1776.5	1385.6	1064.6	812.5	531.5	397.0	329.3	272.5	240.4	192.1	163.7	85.3



LPGS Series-Gel Battery

LPGS2-800(2V800Ah)



Applications

- Telecommunications
- Uninterruptable Power System
- Power system communication, military communication, etc.
- Network communication including: data transmission, television signal transmission, etc.

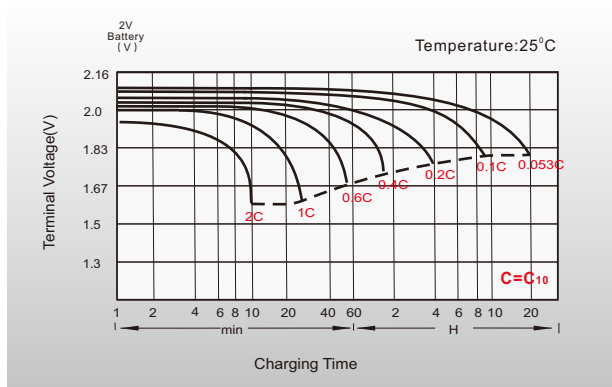
General Features

- Adopted advantage AGM-GEL technology
- Operation temperature -20 55°C
- ≤3% Self discharge @25°C

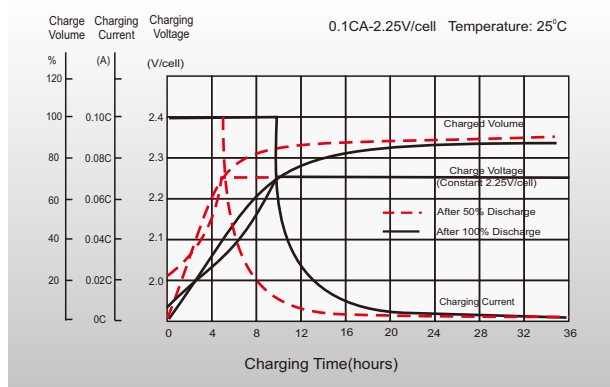
Standards

- IEC 60896 Certified
- Classified as "Very Long Life" according to Eurobat
- UL Certified, CE Certified
- Manufactured in Leoch® IATF 16949, ISO 9001, ISO 14001 and ISO 45001 certified production facilities

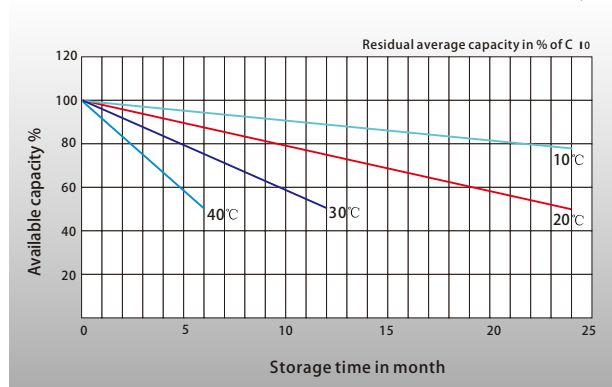
Discharge Characteristics



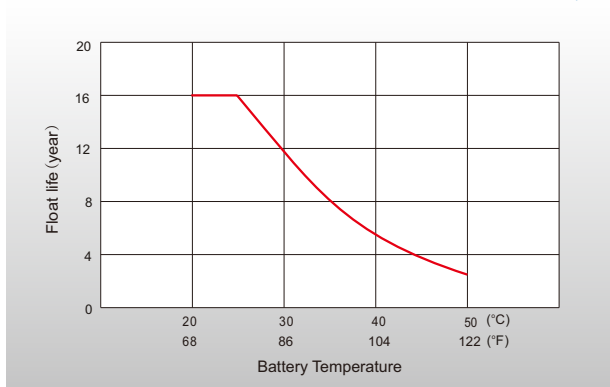
Float Charging Characteristics



General Relation of Capacity VS. Storage Time



Effect of Temperature on Long Term Float Life



Sales Offices Worldwide

China Sales Office

5th Floor, Xinhua Bldg., Nanshan Blvd.,
Nanshan, Shenzhen, China. 518052
Tel: +86-755-86036060 (100 lines)
Fax: +86-755-26067269
E-mail: export@leoch.com

HongKong Sales Office

Workshop C, 33/F, TML Tower, No. 3 Hoi Shing Road,
Tsuen Wan, New Territories, Hong Kong
Tel: +852 35786666
Fax: +44 1452 690125
E-mail: sales.hk@leoch.com

Singapore Sales Office

No. 1 Tech Park Crescent,
Singapore 638131
Tel: +65 68636078
Fax: +65 6863 6079
Email: sales.sg@Leoch.com

Australia Sales Office

2/29 Tarlington Place, Smithfield, NSW 2164
Australia
Tel: 02 9756 0950
E-mail: sales.au@leoch.com

North America Sales Office

19751 Descartes
Foothill Ranch, CA 92610, USA
Tel: 949-588-5853
Fax: 949-588-5966
E-mail: sales@leoch.us

UK Sales Office

9B Wheatstone Court, Waterwells, Business Park,
Gloucester, GL2-2AQ, UK United Kingdom
Tel: +44(0) 1452 729428 / 1452 729696
Fax: +44 1452 690125
E-mail: Sales.Europe@leoch.com

EMEA Sales Office

1 Deligiorgi St., 121 31 Athens,
Greece
Tel: +30 210 5760318 (2 lines)
E-mail: support_EMEA@leoch.com

India Sales Office

Shed no. A-53(b), 2nd Stage of Peenya Industrial Area,
Bangalore North Taluk, Bangalore-560058, India
Tel: +91-80-23440018/23440019
Fax: +91-80-23440017
E-mail: indiasales@leoch.com