



# Solar Series-Tubular Gel

## 4 OPzV200(2V260Ah)

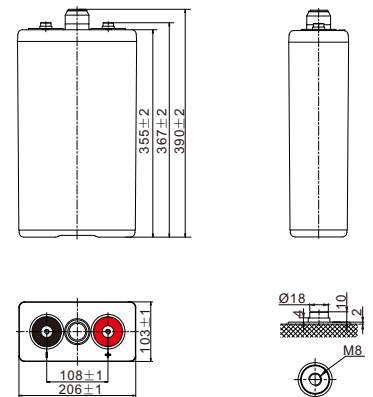


### Specifications

Rated Voltage	2V	
Nominal Capacity	260.0Ah	(C <sub>100</sub> , 1.80V/cell)
Dimension	Length	103mm(4.05 in.)
	Width	206mm(8.11 in.)
	Container Height	355mm(13.97 in.)
	Total Height	390mm(15.35 in.)
Approx Weight	18.8Kg (41.45 lbs)	
Terminal	M8	
Container Material	ABS	
Rated Capacity (25°C)	270.0 Ah	(120hr, 2.25A, 1.80V/cell)
	260.0 Ah	(100hr, 2.60A, 1.80V/cell)
	249.8 Ah	(72hr, 3.47A, 1.80V/cell)
	200.0 Ah	(10hr, 20.0A, 1.80V/cell)
Max. Discharge Current (5s)	1600A	
Internal Resistance(25°C)	Approx. 1.00mΩ	
Operating Temp. Range	Discharge	-20°C~55°C (-4°F~131°F)
	Charge	0°C~40°C (32°F~104°F)
	Storage	-20°C~50°C (-4°F~122°F)
Nominal Operating Temp. Range	25±3°C (77±5°F)	
Max. Charging Current(25°C)	50.0A	
Charge voltage(25°C)	Float	2.25V
	Temp. Coefficient	-3mV/cell/°C
	Cycle(Equalization)	2.35~2.40V
Effect of temp. to Capacity	40°C (104°F)	106%
	25°C (77°F)	100%
	0°C (32°F)	86%
Self Discharge	≤3% per month at 25°C	



### Layout



### Constant Current Discharge (Amperes) at 25 °C (77 °F)

F.V/Time	1h	2h	3h	5h	8h	10h	24h	48h	72h	100h	120h
1.85V/cell	89.4	60.4	46.4	31.7	22.2	18.7	8.90	4.65	3.35	2.54	2.19
1.80V/cell	100.2	66.2	50.5	34.2	23.8	20.0	9.21	4.83	3.47	2.60	2.25
1.75V/cell	104.2	68.5	51.6	34.9	24.2	20.3	9.27	4.94	3.56	2.65	2.28
1.70V/cell	108.7	70.2	52.6	35.4	24.5	20.6	9.42	5.04	3.60	2.69	2.31
1.67V/cell	111.6	71.4	53.6	36.0	24.8	20.7	9.50	5.09	3.63	2.74	2.34
1.60V/cell	113.3	72.5	54.2	36.3	25.0	20.9	9.58	5.15	3.65	2.77	2.37

### Constant Power Discharge (Watts/cell) at 25 °C (77 °F)

F.V/Time	1h	2h	3h	5h	8h	10h	24h	48h	72h	100h	120h
1.85V/cell	172.5	117.4	90.5	62.3	44.1	37.3	17.8	9.32	6.72	5.10	4.40
1.80V/cell	193.0	128.4	98.0	66.9	47.1	39.7	18.4	9.66	6.96	5.22	4.52
1.75V/cell	199.3	131.2	99.7	68.1	47.8	40.3	18.5	9.87	7.13	5.32	4.59
1.70V/cell	206.1	134.1	101.4	69.2	48.3	40.7	18.8	10.1	7.20	5.39	4.64
1.67V/cell	210.1	136.4	103.1	69.8	48.8	41.0	18.9	10.1	7.25	5.48	4.70
1.60V/cell	212.4	137.6	103.7	70.3	49.0	41.3	19.0	10.2	7.29	5.53	4.74



# Solar Series-Tubular Gel

## 4 OPzV200(2V260Ah)



### Applications

- Green energy systems (solar, wind, hydro, etc)
- Telecommunications installations
- Solar power stations
- Alarm installations
- Railway crossing
- Street lightening
- Pump systems
- Signal station
- Street signs
- Traffic lights
- Lawn lamp

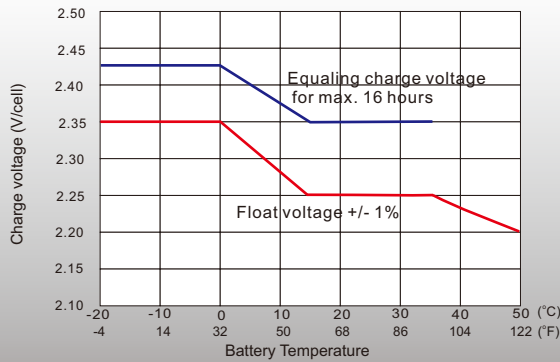
### General Features

- 20 years design life(20°C)
- Better recovery performance
- Wide working temperature range (-20~55°C)
- No electrolyte stratification provides longer service life
- High recombination efficient
- Built in copper core based in lead will carry large current
- Separator imported form AMER-SIL high porosity. PVC-SiO<sub>2</sub> and low resistance
- Pasted negative plate special grid design increase the active material. availability large current discharge and charge ability
- Tubuler type positive plate (polyester tube) prevent the active material from falling. Muti metal alloy pressed positive grid increase the anti corrosion ability and service life

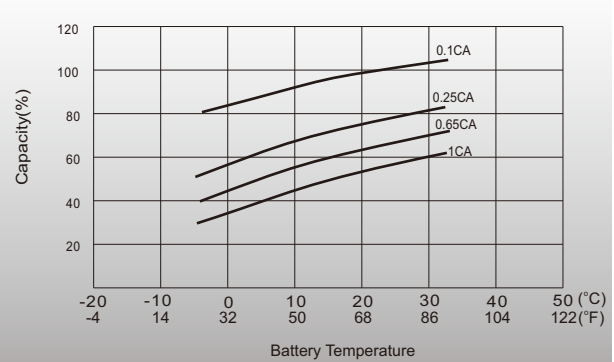
### Standards

- Compliance with IEC 60896, IEC 61427, DIN 40742 standards
- UL, CE Certified
- Manufactured in Leoch@IATF16949, OHSAS 18001, ISO 9001 and ISO 14001 certified production facilities

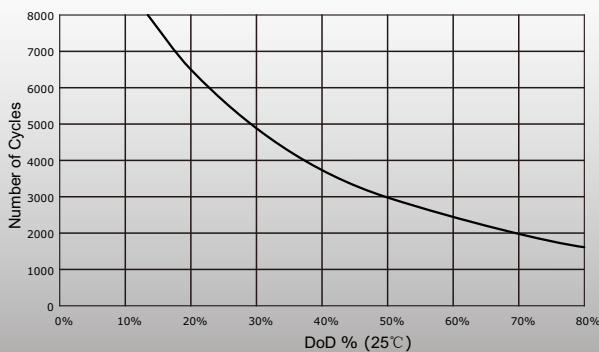
### Charge voltage vs ambient temperature curve



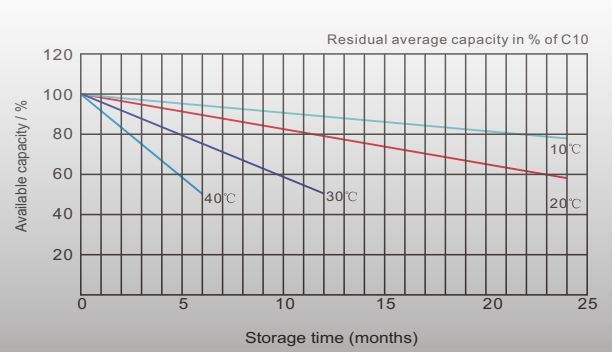
### Temperature effects in relation to battery capacity



### Cycle Life in Relation to DOD



### General Relation of Capacity VS. Storage Time



## Sales Offices Worldwide

#### China Sales Office

5th Floor, Xinhaohui Bldg., Nanhai Blvd.,  
Nanshan, Shenzhen, China. 518052  
Tel: +86-755-86036060 (100 lines)  
Fax: +86-755-26067269  
E-mail: export@leoch.com

#### HongKong Sales Office

Workshop C, 33/F, TML Tower, No. 3 Hoi Shing Road,  
Tsuen Wan, New Territories, Hong Kong  
Tel: +852 35786666  
Fax: +44 1452 690125  
E-mail: sales.hk@leoch.com

#### Singapore Sales Office

No. 1 Tech Park Crescent,  
Singapore 638131  
Tel: +65 68636078  
Fax: +65 6863 6079  
Email: sales.sg@Leoch.com

#### Australia Sales Office

2 /29 Tarlington Place, Smithfield. NSW 2164  
Australia  
Tel: 02 9756 0950  
E-mail: sales.au@leoch.com

#### North America Sales Office

19751 Descartes  
Foothill Ranch, CA 92610, USA  
Tel: 949-588-5853  
Fax: 949-588-5966  
E-mail: sales@leoch.us

#### UK Sales Office

9B Wheatstone Court. Waterwells, Business Park,  
Gloucester, GL2-2AQ, UK United Kingdom  
Tel: +44(0) 1452 729428 / 1452 729696  
Fax: +44 1452 690125  
E-mail: Sales.Europe@leoch.com

#### EMEA Sales Office

1 Deligiorgi St., 121 31 Athens,  
Greece  
Tel: +30 210 5760318 (2 lines)  
E-mail: support\_EMEA@leoch.com

#### India Sales Office

Shed no.A-53(b), 2nd Stage of Peenya Industrial Area,  
Bangalore North Taluk, Bangalore-560058, India  
Tel: +91-80-23440018/23440019  
Fax: +91-80-23440017  
E-mail: indiasales@leoch.com



[Http://www.leoch.com](http://www.leoch.com)  
[Http://www.leoch.us](http://www.leoch.us)

© 2019 LEOCH. All rights reserved.

Trademarks and logos are the property of LEOCH and its affiliates unless otherwise noted.  
Subject to revisions without prior notice.

Publication No.:LB-4 OPzV200-C100-PD-EN-V1.2-202003