

MARINE AGM DUAL PURPOSE BATTERY

31M-720 (12V105Ah)



CHARACTERISTICS

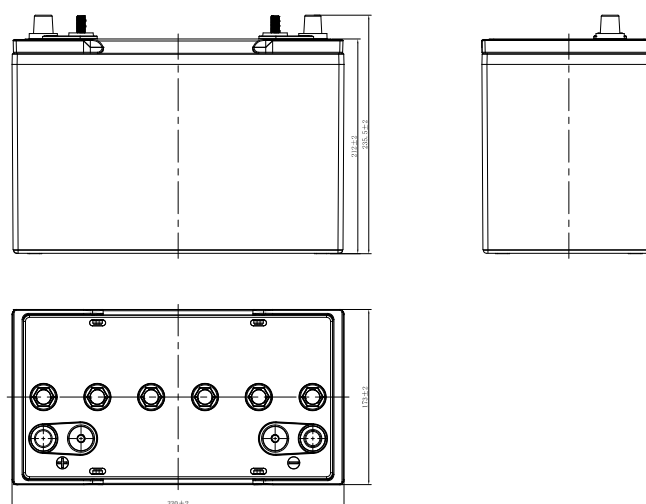
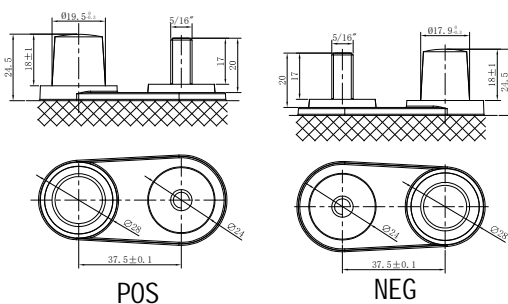
Item	Specifications	
Nominal Voltage	12V	
Nominal Capacity (20HR)	105Ah	
Reserve Capacity	200min	
Cold Cranking Amps@0°F (-18°C)	720A	
Dimension	Length	330mm (13.0inches)
	Width	173mm (6.81inches)
	Height	235.5mm (9.27inches)
Approx Weight	29.8kg (65.7lbs)	
Terminal	12	
Cell layout	1	
Hold-Down	B0	
Case	Black-ABS Material	
Cover	Black-ABS Material	
Handle	TS7	

APPLICATIONS

- MARINE and RV
- Start and deep cycle

GENERAL FEATURES

- Superior starting and cycling performance
- High capacity and high CCA
- 2x faster charge acceptance than conventional starter batteries
- 3x higher cycle life than conventional starter batteries
- Advanced Absorbed Glass Mat (AGM) technology



*Values are subject to variation of +/- 5% in normal manufacturing processes.

Leoch International Technology Ltd.
www.leoch.com

Leoch Batteries Pte Ltd
www.leoch.sg

Leoch Battery Corporation
www.leochamericas.com

Leoch Europe S.A.
www.leoch.eu