

AGM START-STOP BATTERY

AGM-L6 (12V105Ah)



CHARACTERISTICS

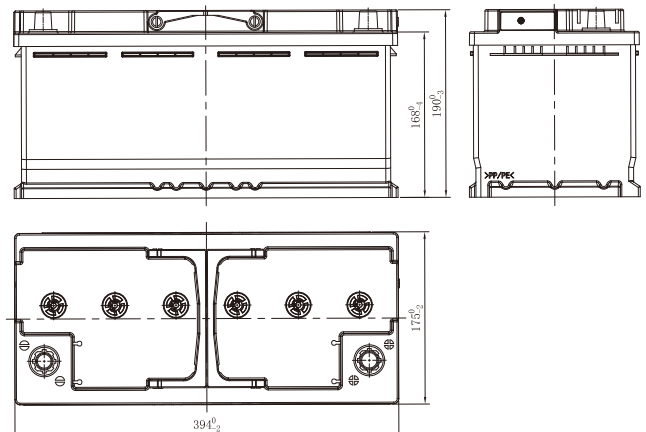
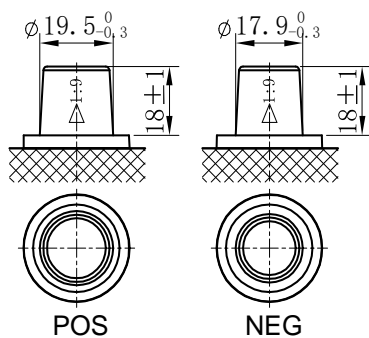
| Item | Specifications | |
|--------------------------------|------------------------------|--------------------|
| Nominal Voltage | 12V | |
| Nominal Capacity (20HR) | 105Ah | |
| Reserve Capacity | 190min | |
| Cold Cranking Amps@0°F (-18°C) | 950A | |
| Dimension | Length | 394mm (15.5inches) |
| | Width | 175mm (6.89inches) |
| | Container Height | 190mm (7.48inches) |
| | Total Height (with Terminal) | 190mm (7.48inches) |
| Approx Weight | 29.4kg (64.8lbs) | |
| Terminal | 1 | |
| Cell layout | 0 | |
| Hold-Down | B13 | |
| Case | Black-PP Material | |
| Cover | Black-PP Material | |
| Handle | TS6 | |

APPLICATIONS

- Car with start-stop system
- EV/HEV
- Engine start

GENERAL FEATURES

- Maximum CCA and life
- Valve regulated technology
- Advanced Absorbed Glass Mat (AGM) technology
- Top-level safety - absolutely no free acid
- 2x Faster Charge Acceptance than conventional starter batteries
- 3x higher cycle life than conventional starter batteries
- Suit for working in partial state of charge operations (PSoC)
- OE quality certification



*Values are subject to variation of +/- 5% in normal manufacturing processes.

Leoch International Technology Ltd.
www.leoch.com

Leoch Batteries Pte Ltd
www.leoch.sg

Leoch Battery Corporation
www.leochamericas.com

Leoch Europe S.A.
www.leoch.eu