

# FLOODED BATTERY

## 31AT-800 (12V100Ah)



## CHARACTERISTICS

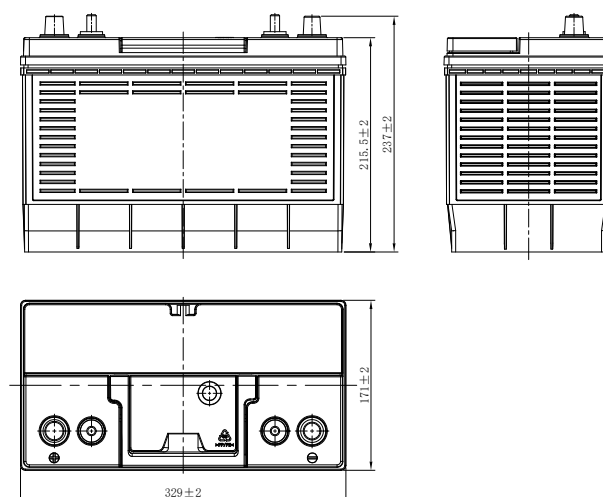
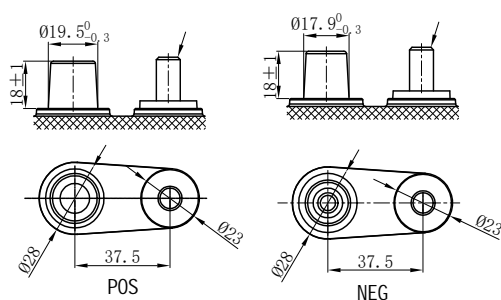
| Item                           | Specifications               |                      |
|--------------------------------|------------------------------|----------------------|
| Nominal Voltage                | 12V                          |                      |
| Nominal Capacity (20HR)        | 100Ah                        |                      |
| Reserve Capacity               | 179min                       |                      |
| Cold Cranking Amps@0°F (-18°C) | 800A                         |                      |
| Dimension                      | Length                       | 329mm (13.0inches)   |
|                                | Width                        | 171mm (6.73inches)   |
|                                | Container Height             | 215.5mm (8.48inches) |
|                                | Total Height (with Terminal) | 237mm (9.33inches)   |
| Approx Weight                  | 24.2kg (53.4lbs)             |                      |
| Terminal                       | 12                           |                      |
| Cell layout                    | 1                            |                      |
| Hold-Down                      | B0                           |                      |
| Case                           | Black-PP Material            |                      |
| Cover                          | Black-PP Material            |                      |
| Handle                         | TS9                          |                      |

## APPLICATIONS

- Car start
- EV/HEV
- Engine start

## GENERAL FEATURES

- High capacity and high CCA
- Long life
- Advanced lead-calcium alloy technology, maintenance-free design
- Patented venting system bring less water loss and prevent acid leakage
- OE quality certification



\*Values are subject to variation of +/- 5% in normal manufacturing processes.

Leoch International Technology Ltd.  
[www.leoch.com](http://www.leoch.com)

Leoch Batteries Pte Ltd  
[www.leoch.sg](http://www.leoch.sg)

Leoch Battery Corporation  
[www.leochamericas.com](http://www.leochamericas.com)

Leoch Europe S.A.  
[www.leoch.eu](http://www.leoch.eu)