



LEOCH BATTERY

BCI 31A-800 [12V105Ah]

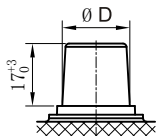
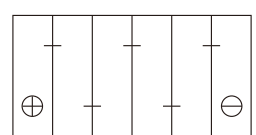


Physical Specification (mm)

Nominal Voltage		12V
Nominal Capacity(20HR)		105Ah
Dimension	Length	329 ± 2mm(12.95inches)
	Width	171 ± 2mm(6.73inches)
	Container Height	215.5 ± 2mm(8.48inches)
	Total Height(with Terminal)	235.5 ± 2mm(9.27inches)
Weight		Approx 24.8Kg(54.68lbs)
Acid		1.280 ± 0.015g/cm ³ (25°C)
Standard Terminal		5
Cell layout		1
Hold-Down		B0
Cell plate qty		/
Case		Black-PP Material
Cover		Black-PP Material
Handle		Black-PP Material
QTY/PLT/layer		/

Standard Terminal (mm) Cell Layout

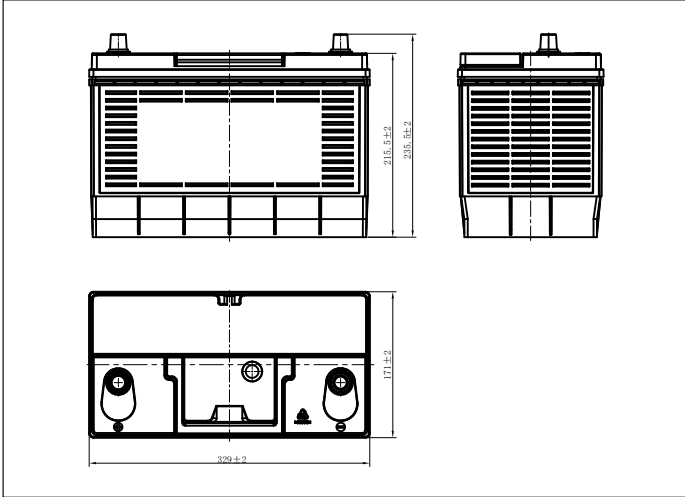
Terminal Type	D	
	Positive	Negative
5	19.5 ⁰ _{-0.3}	17.9 ⁰ _{-0.3}

Figure(1)

*Values are subject to variation of +/- 5% in normal manufacturing processes.
 *Technical specifications and the product line above could be changed without prior notice.

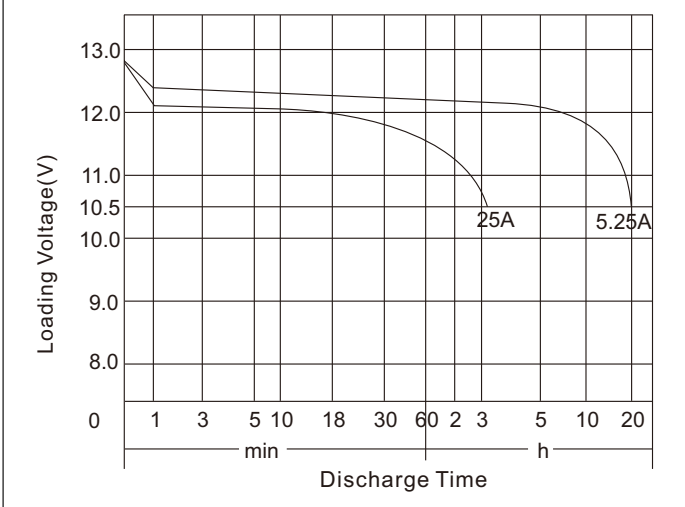
Dimensions (mm)



Electrical Specification

Rated Capacity	20 hour rate(5.25A)	105Ah
Reserve Capacity		190min
Cold Cranking Performance Amps@0°F(-18°C)		800A

Discharge Characteristics(25°C,70°F)



Discharge Characteristics(-18°C,0°F)

