



LEOCH BATTERY

# BCI 58-520 (12V55Ah)

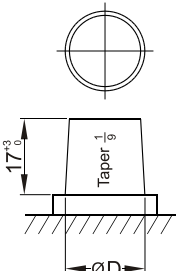
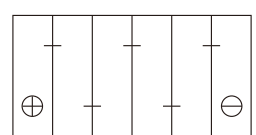


## Physical Specification (mm)

Nominal Voltage		12V
Nominal Capacity(20HR)		55Ah
Dimension	Length	240±2mm(9.45inches)
	Width	174±2mm(6.85inches)
	Container Height	157±2mm(6.18inches)
	Total Height(with Terminal)	177±2mm(6.97inches)
Weight		Approx 13.4Kg(29.55lbs)
Acid		1.280±0.015g/cm <sup>3</sup> (25°C)
Standard Terminal		1
Cell layout		1
Hold-Down		B01
Cell plate qty		/
Case		Black-PP Material
Cover		Black-PP Material
Handle		Black-PP Material
QTY/PLT/layer		/

## Standard Terminal (mm)      Cell Layout

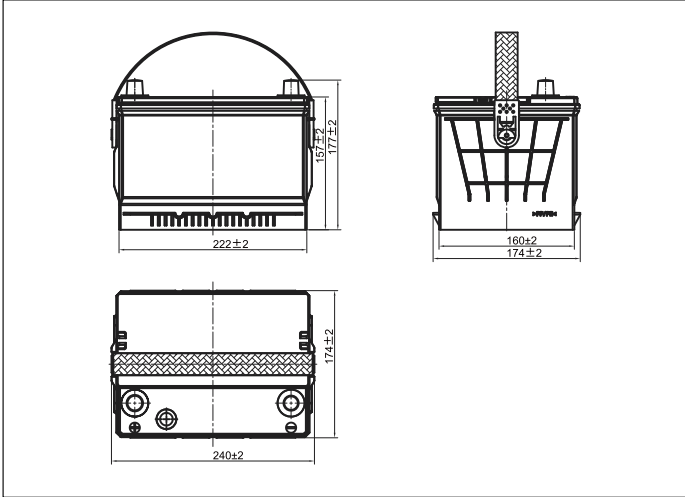
Terminal Type	D	
	Positive	Negative
1	19.5 <sup>0</sup> <sub>-0.3</sub>	17.9 <sup>0</sup> <sub>-0.3</sub>

Figure(1)

\*Values are subject to variation of +/- 5% in normal manufacturing processes.  
 \*Technical specifications and the product line above could be changed without prior notice.

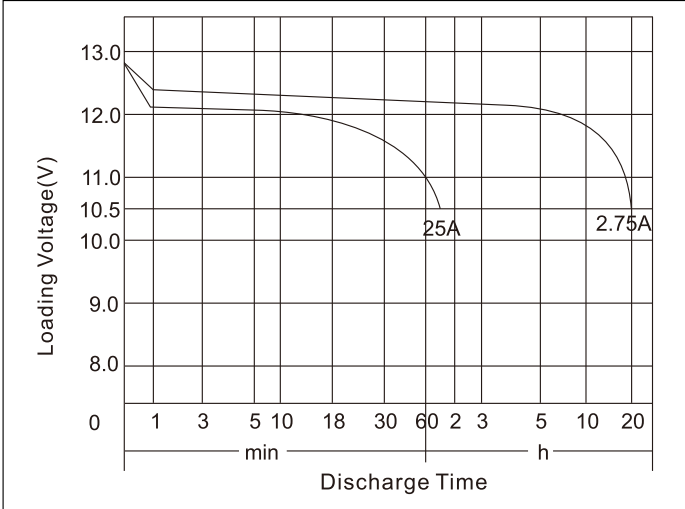
## Dimensions (mm)



## Electrical Specification

Rated Capacity	20 hour rate(2.75A)	55Ah
Reserve Capacity		88min
Cold Cranking Performance Amps@0°F(-18°C)		520A

## Discharge Characteristics(25°C,70°F)



## Discharge Characteristics(-18°C,0°F)

