

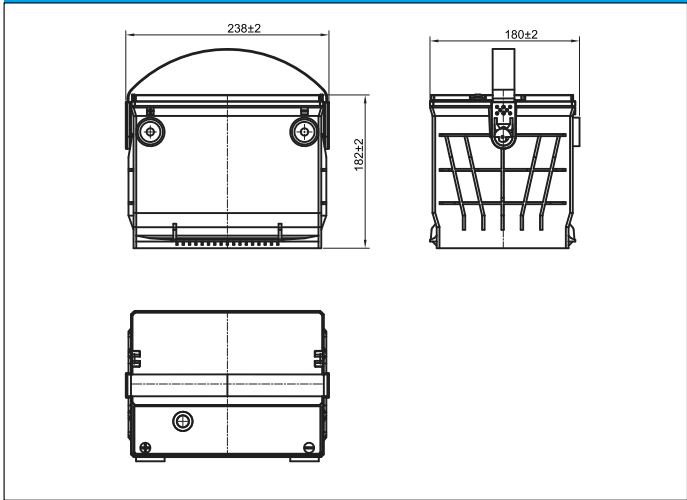


LEOCH BATTERY

BCI 75-520 (12V55Ah)



Dimensions (mm)



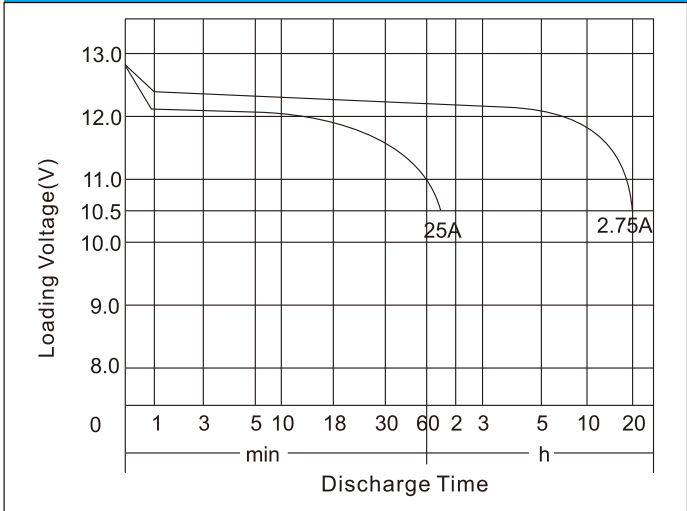
Physical Specification (mm)

Nominal Voltage		12V
Nominal Capacity(20HR)		55Ah
Dimension	Length	238±2mm(9.37inches)
	Width	180±2mm(7.09inches)
	Container Height	182±2mm(7.17inches)
	Total Height(with Terminal)	182±2mm(7.17inches)
Weight		Approx 14.6Kg(32.2lbs)
Acid		1.280±0.015g/cm ³ (25°C)
Standard Terminal		20
Cell layout		6
Hold-Down		B01
Cell plate qty		/
Case		Black-PP Material
Cover		Black-PP Material
Handle		Black-PP Material
QTY/PLT/layer		/

Electrical Specification

Rated Capacity	20 hour rate(2.75A)	55Ah
Reserve Capacity		88min
Cold Cranking Performance Amps@0°F(-18°C)		520A

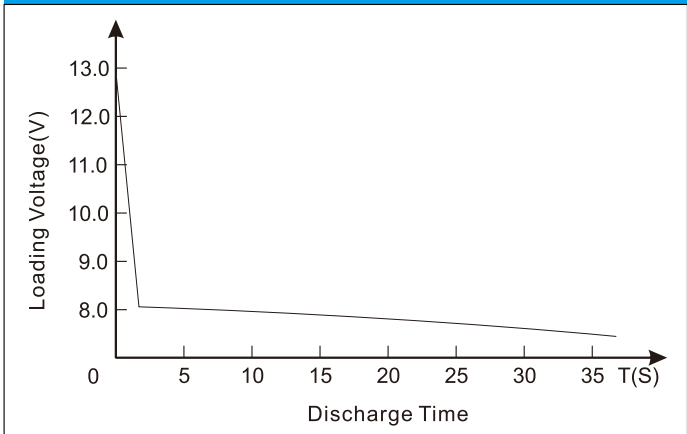
Discharge Characteristics(25°C,70°F)



Standard Terminal (mm) Cell Layout

Terminal Type	20	<p>Figure(6)</p>

Discharge Characteristics(-18°C,0°F)



*Values are subject to variation of +/- 5% in normal manufacturing processes.
 *Technical specifications and the product line above could be changed without prior notice.