



LEOCH BATTERY

BCI 86-500 (12V60Ah)

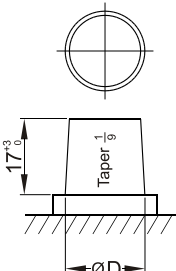
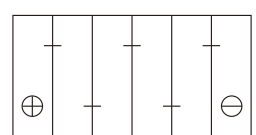


Physical Specification (mm)

Nominal Voltage		12V
Nominal Capacity(20HR)		60Ah
Dimension	Length	229±2mm(9.02inches)
	Width	171±2mm(6.73inches)
	Container Height	183±2mm(7.20inches)
	Total Height(with Terminal)	205±2mm(8.07inches)
Weight		Approx 14.5Kg(32.0lbs)
Acid		1.280±0.015g/cm ³ (25°C)
Standard Terminal		1
Cell layout		1
Hold-Down		B01
Cell plate qty		/
Case		Black-PP Material
Cover		Black-PP Material
Handle		Black-PP Material
QTY/PLT/layer		/

Standard Terminal (mm) Cell Layout

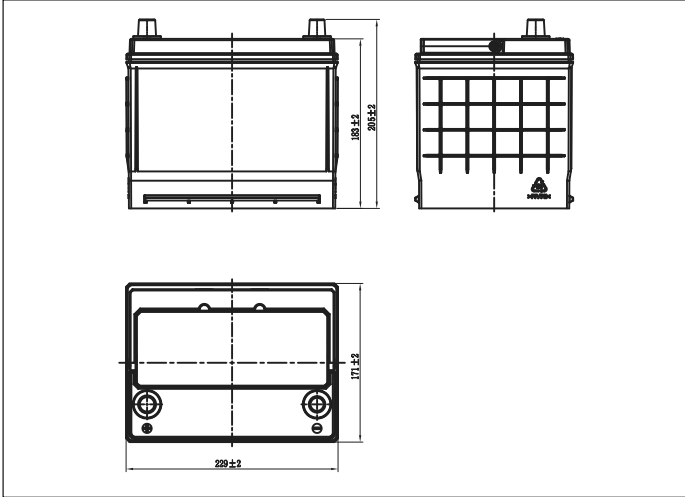
Terminal Type	D	
	Positive	Negative
1	19.5 ⁰ _{-0.3}	17.9 ⁰ _{-0.3}

Figure(1)

*Values are subject to variation of +/- 5% in normal manufacturing processes.
 *Technical specifications and the product line above could be changed without prior notice.

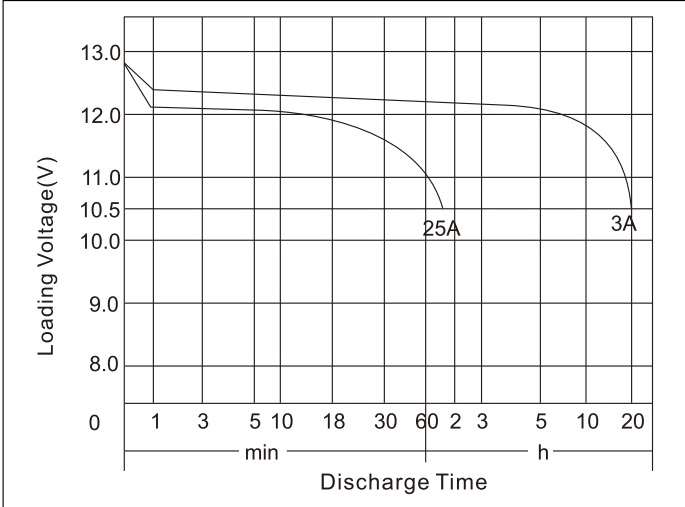
Dimensions (mm)



Electrical Specification

Rated Capacity	20 hour rate(3A)	60Ah
Reserve Capacity		98min
Cold Cranking Performance Amps@0°F(-18°C)		500A

Discharge Characteristics(25°C,70°F)



Discharge Characteristics(-18°C,0°F)

