

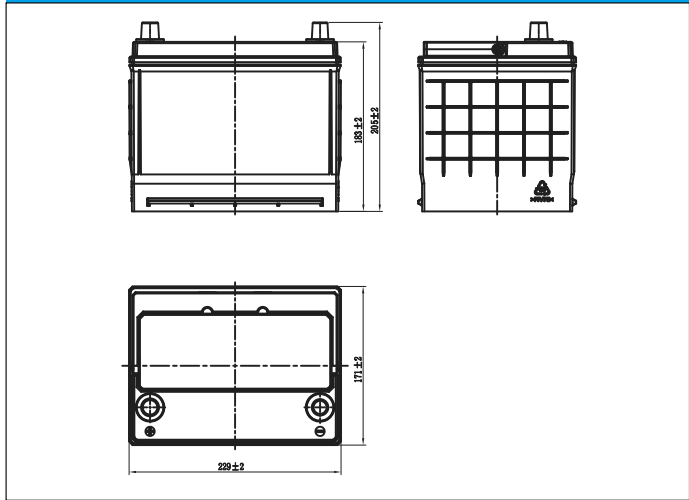


LEOCH BATTERY

BCI 86-550 (12V63Ah)



Dimensions (mm)



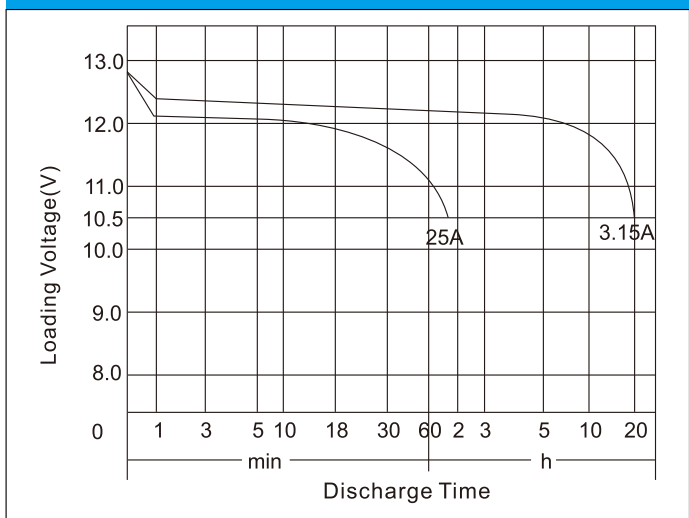
Physical Specification (mm)

Nominal Voltage		12V
Nominal Capacity(20HR)		63Ah
Dimension	Length	229±2mm(9.02inches)
	Width	171±2mm(6.73inches)
	Container Height	183±2mm(7.20inches)
	Total Height(with Terminal)	205±2mm(8.07inches)
Weight		Approx 15.2Kg(33.4lbs)
Acid		1.280±0.015g/cm ³ (25°C)
Standard Terminal		1
Cell layout		1
Hold-Down		B01
Cell plate qty		/
Case		Black-PP Material
Cover		Black-PP Material
Handle		Black-PP Material
QTY/PLT/layer		/

Electrical Specification

Rated Capacity	20 hour rate(3.15A)	63Ah
Reserve Capacity		104min
Cold Cranking Performance Amps@0°F(-18°C)		550A

Discharge Characteristics(25°C,70°F)



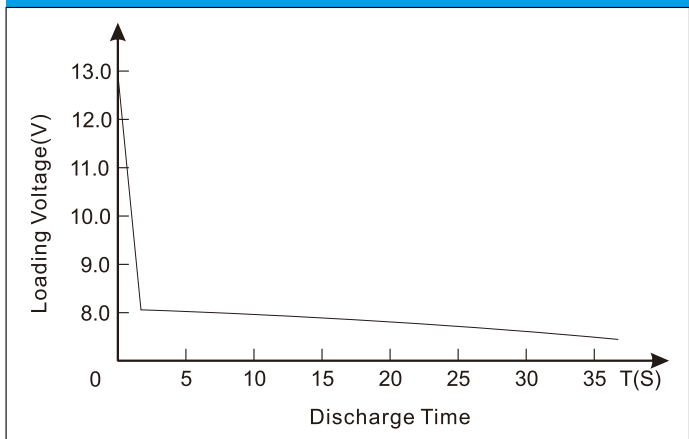
Standard Terminal (mm) Cell Layout

Terminal Type	D		Cell Layout Diagram
	Positive	Negative	
1	19.5 ⁰ _{-0.3}	17.9 ⁰ _{-0.3}	

17.3
Taper: 1/5
ØD

Figure(1)

Discharge Characteristics(-18°C,0°F)



*Values are subject to variation of +/- 5% in normal manufacturing processes.
*Technical specifications and the product line above could be changed without prior notice.