

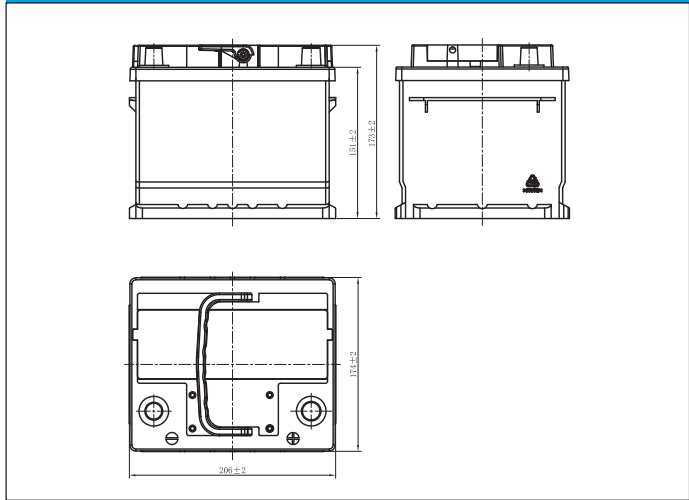


LEOCH BATTERY

# 54465 (12V44Ah)



## Dimensions (mm)



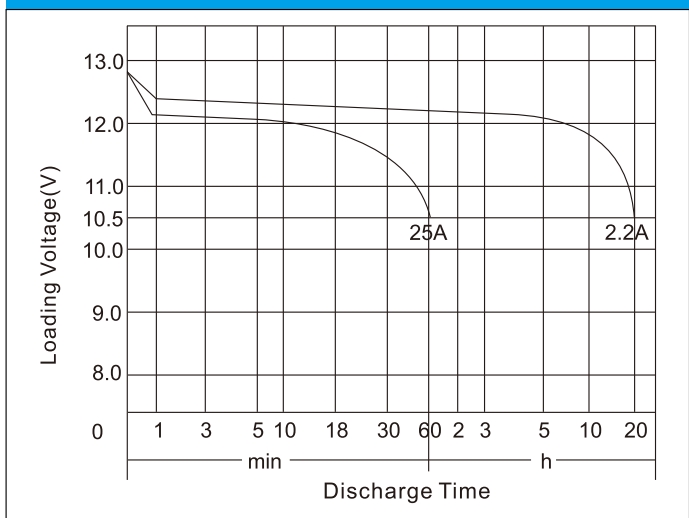
## Physical Specification (mm)

Nominal Voltage		12V
Nominal Capacity(20HR)		44Ah
Dimension	Length	206±2mm(8.11inches)
	Width	174 ±2mm(6.85inches)
	Container Height	173 ±2mm(6.81inches)
	Total Height(with Terminal)	173±2mm(6.81inches)
Weight		Approx 11.6Kg(25.58lbs)
Acid		1.280±0.015g/cm <sup>3</sup> (25°C)
Standard Terminal		1
Cell layout		0
Hold-Down		B13
Cell plate qty		/
Case		Black-PP Material
Cover		Black-PP Material
Handle		Black-PP Material
QTY/PLT/layer		/

## Electrical Specification

Rated Capacity	20 hour rate(2.2A)	44Ah
Reserve Capacity		68min
Cold Cranking Performance Amps@0°F(-18°C)		410A

## Discharge Characteristics(25°C,70°F)

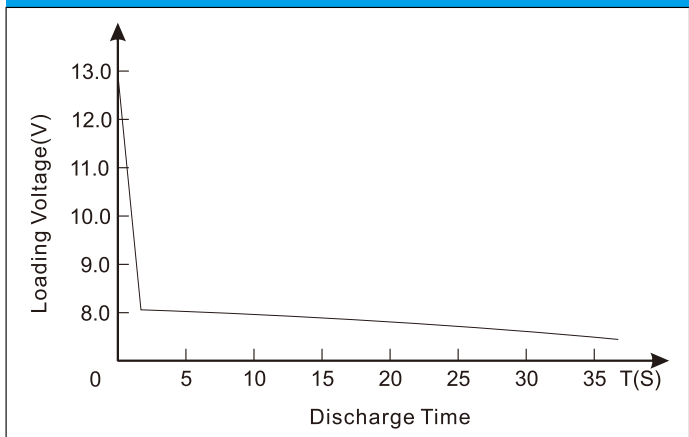


## Standard Terminal (mm)      Cell Layout

Terminal Type	D		Cell Layout Diagram
	Positive	Negative	
1	19.5 <sup>0</sup> <sub>-0.3</sub>	17.9 <sup>0</sup> <sub>-0.3</sub>	

Figure(0)

## Discharge Characteristics(-18°C,0°F)



\*Values are subject to variation of +/- 5% in normal manufacturing processes.  
 \*Technical specifications and the product line above could be changed without prior notice.