

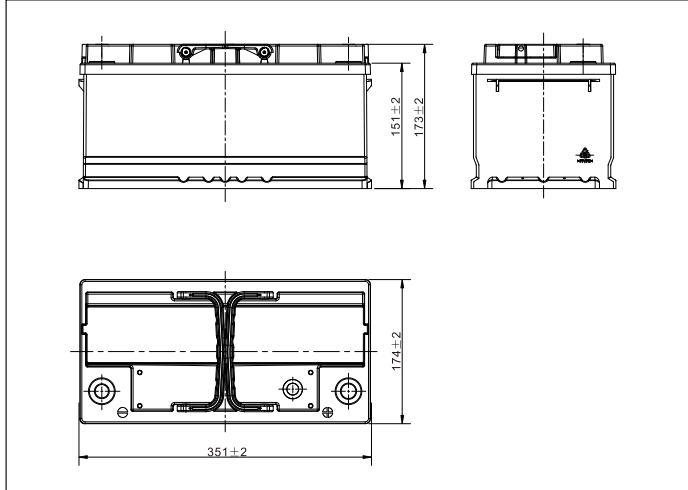


LEOCH BATTERY

6-QW-85(670)-L (12V85Ah)



Dimensions (mm)



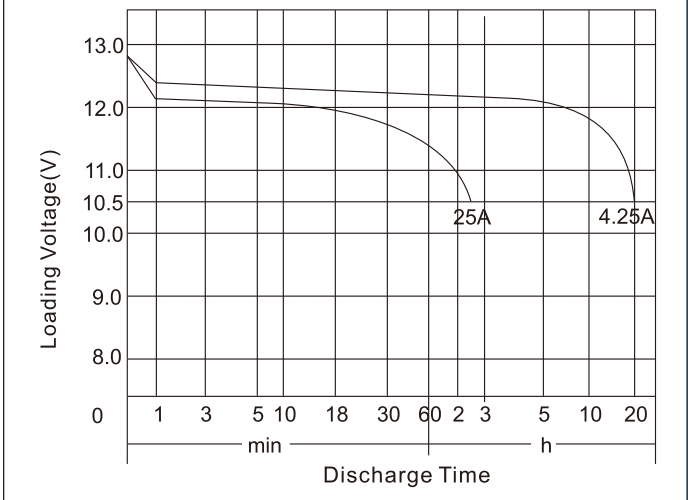
Physical Specification (mm)

Nominal Voltage		12V
Nominal Capacity(20HR)		85Ah
Dimension	Length	351±2mm(13.82inches)
	Width	174±2mm(6.85inches)
	Container Height	173±2mm(6.81inches)
	Total Height(with Terminal)	173±2mm(6.81inches)
Weight		Approx20.6Kg(45.5lbs)
Acid		1.280±0.015g/cm ³ (25°C)
Standard Terminal		1
Cell layout		0
Hold-Down		B13
Cell plate qty		/
Case		Black-PP Material
Cover		Black-PP Material
Handle		Black-PP Material
QTY/PLT/layer		/

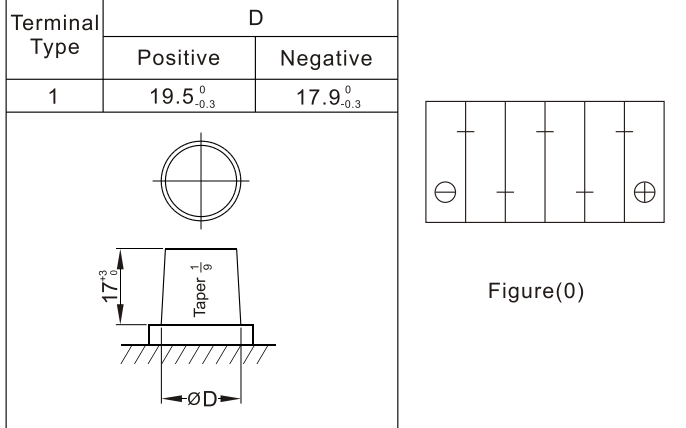
Electrical Specification

Rated Capacity	20 hour rate(4.25A)	85Ah
Reserve Capacity		148min
Cold Cranking Performance Amps@0°F(-18°C)		670A

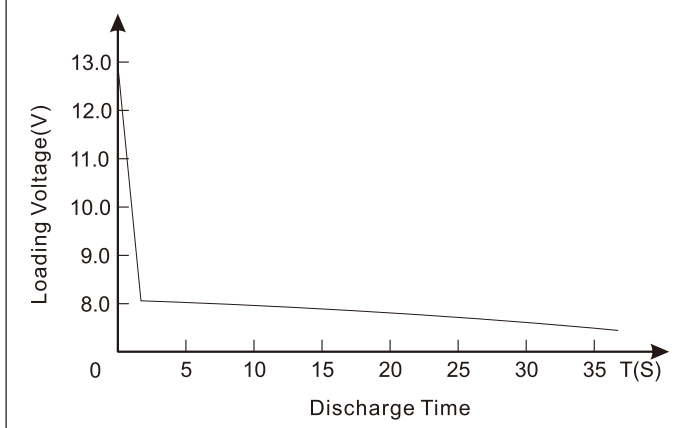
Discharge Characteristics(25°C,70°F)



Standard Terminal (mm) Cell Layout



Discharge Characteristics(-18°C,0°F)



*Values are subject to variation of +/- 5% in normal manufacturing processes.
 *Technical specifications and the product line above could be changed without prior notice.