

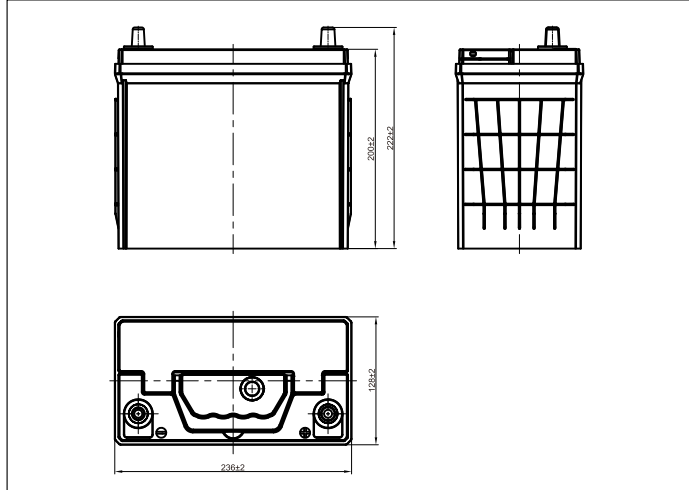


LEOCH BATTERY

JIS 46B24L (12V45Ah)



Dimensions (mm)



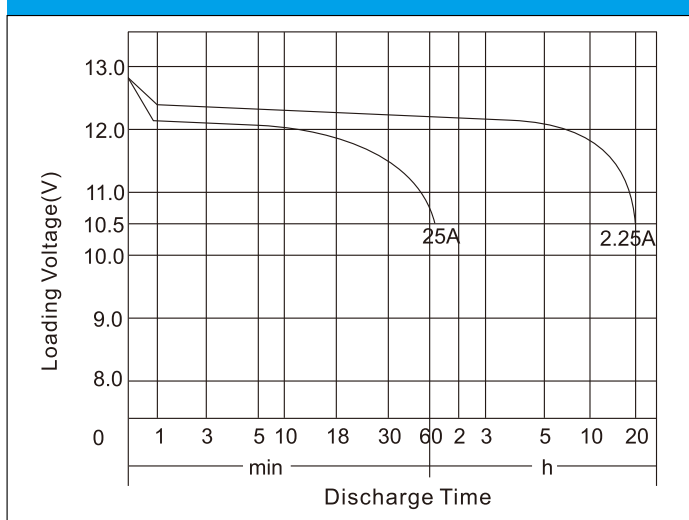
Physical Specification (mm)

Nominal Voltage		12V
Nominal Capacity(20HR)		45Ah
Dimension	Length	236±2mm(9.29inches)
	Width	128±2mm(5.04inches)
	Container Height	200±2mm(7.87inches)
	Total Height(with Terminal)	222±2mm(8.74inches)
Weight		Approx 11.6Kg(25.58lbs)
Acid		1.280±0.015g/cm ³ (25°C)
Standard Terminal		3
Cell layout		0
Hold-Down		B0
Cell plate qty		/
Case		Black-PP Material
Cover		Black-PP Material
Handle		Black-PP Material
QTY/PLT/layer		/

Electrical Specification

Rated Capacity	20 hour rate(2.25A)	45Ah
Reserve Capacity		70min
Cold Cranking Performance Amps@0°F(-18°C)		350A

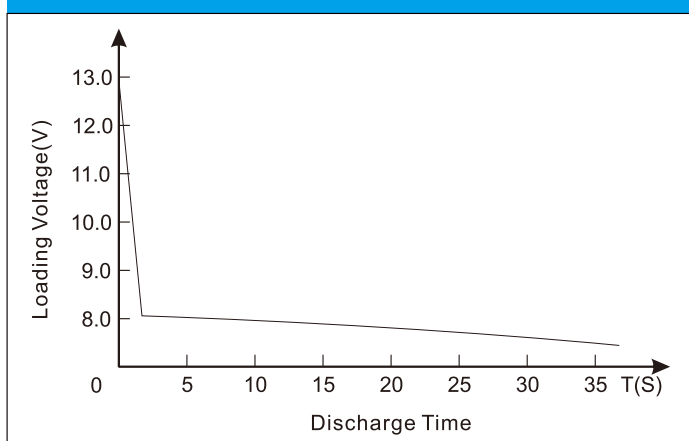
Discharge Characteristics(25°C,70°F)



Standard Terminal (mm) Cell Layout

Terminal Type	D		Cell Layout Diagram
	Positive	Negative	
3	14.7 ⁰ _{-0.3}	13.0 ⁰ _{-0.3}	

Discharge Characteristics(-18°C,0°F)



*Values are subject to variation of +/- 5% in normal manufacturing processes.
 *Technical specifications and the product line above could be changed without prior notice.