

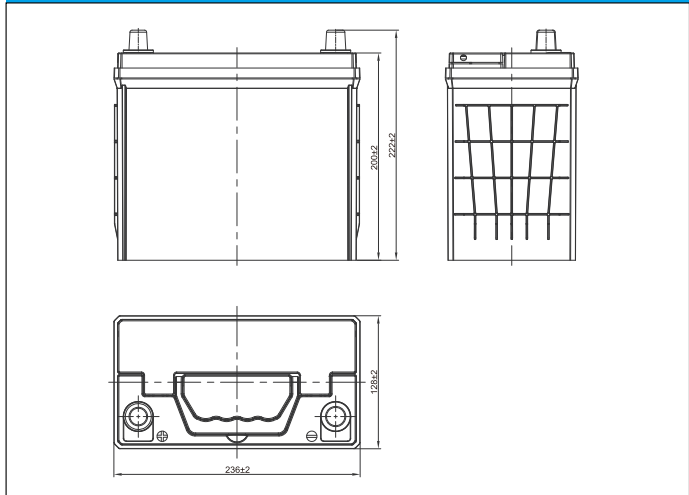


LEOCH BATTERY

# JIS 46B24RS (12V45Ah)



## Dimensions (mm)



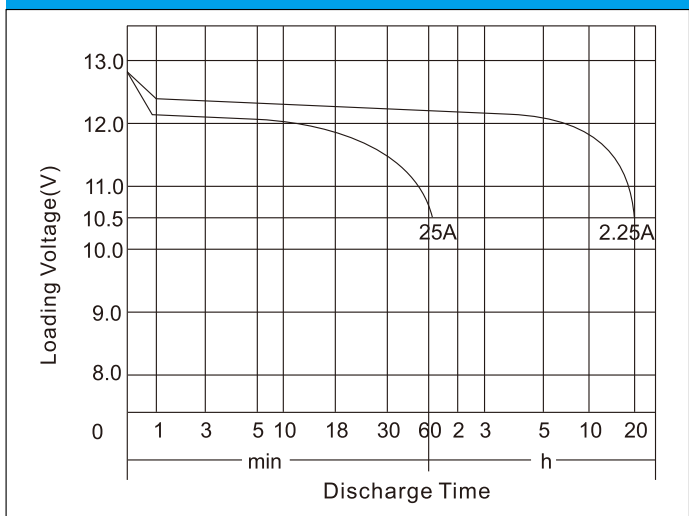
## Physical Specification (mm)

Nominal Voltage		12V
Nominal Capacity(20HR)		45Ah
Dimension	Length	236±2mm(9.29inches)
	Width	128±2mm(5.04inches)
	Container Height	200±2mm(7.87inches)
	Total Height(with Terminal)	222±2mm(8.74inches)
Weight		Approx 11.7Kg(25.80lbs)
Acid		1.280±0.015g/cm <sup>3</sup> (25°C)
Standard Terminal		1
Cell layout		1
Hold-Down		B0
Cell plate qty		/
Case		Black-PP Material
Cover		Black-PP Material
Handle		Black-PP Material
QTY/PLT/layer		/

## Electrical Specification

Rated Capacity	20 hour rate(2.25A)	45Ah
Reserve Capacity		70min
Cold Cranking Performance Amps@0°F(-18°C)		410A

## Discharge Characteristics(25°C,70°F)

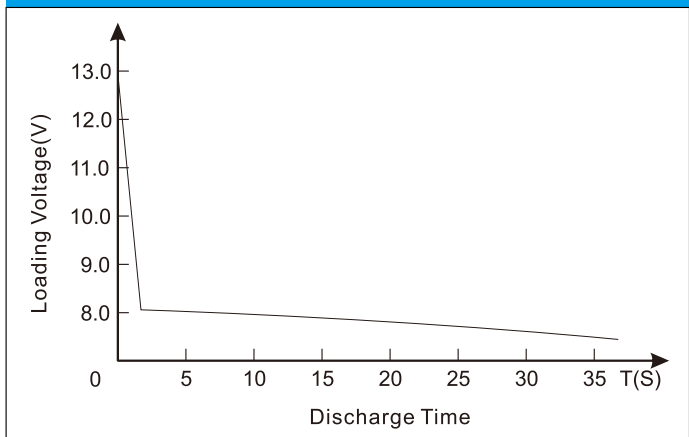


## Standard Terminal (mm)      Cell Layout

Terminal Type	D		Cell Layout Diagram
	Positive	Negative	
1	19.5 <sup>0</sup> <sub>-0.3</sub>	17.9 <sup>0</sup> <sub>-0.3</sub>	

Figure(1)

## Discharge Characteristics(-18°C,0°F)



\*Values are subject to variation of +/- 5% in normal manufacturing processes.  
 \*Technical specifications and the product line above could be changed without prior notice.