

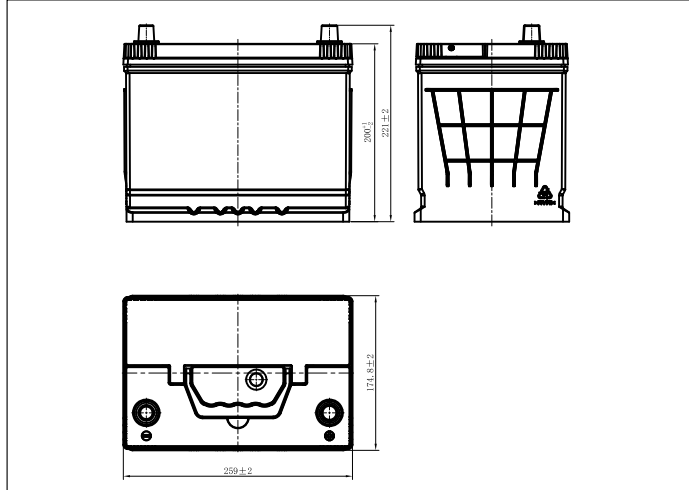


LEOCH BATTERY

6-QW-43(360)-L (12V43Ah)



Dimensions (mm)



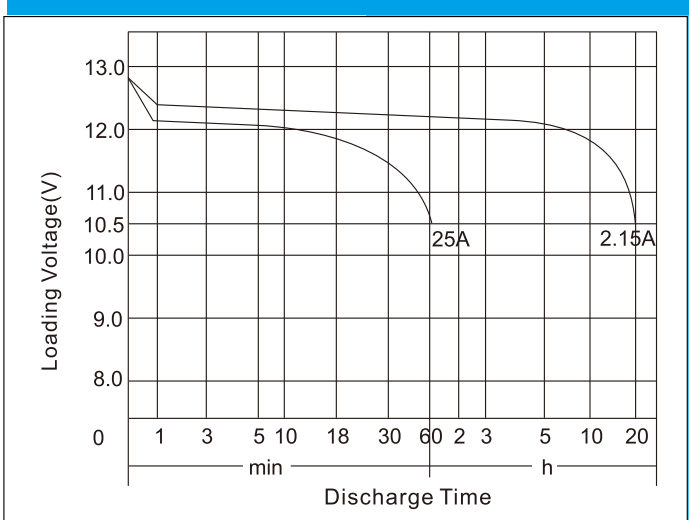
Physical Specification (mm)

Nominal Voltage	12V	
Nominal Capacity(20HR)	43Ah	
Dimension	Length	259±2mm(10.20inches)
	Width	174.8±2mm(6.88inches)
	Container Height	200+1/-2mm(7.87inches)
	Total Height(with Terminal)	221±2mm(8.70inches)
Weight	Approx14.8Kg(32.63lbs)	
Acid	1.280±0.015g/cm ³ (25°C)	
Standard Terminal	1	
Cell layout	0	
Hold-Down	B1	
Cell plate qty	/	
Case	Black-PP Material	
Cover	Black-PP Material	
Handle	Black-PP Material	
QTY/PLT/layer	/	

Electrical Specification

Rated Capacity	20 hour rate(2.15A)	43Ah
Reserve Capacity	66min	
Cold Cranking Performance Amps@0°F(-18°C)	360A	

Discharge Characteristics(25°C,70°F)

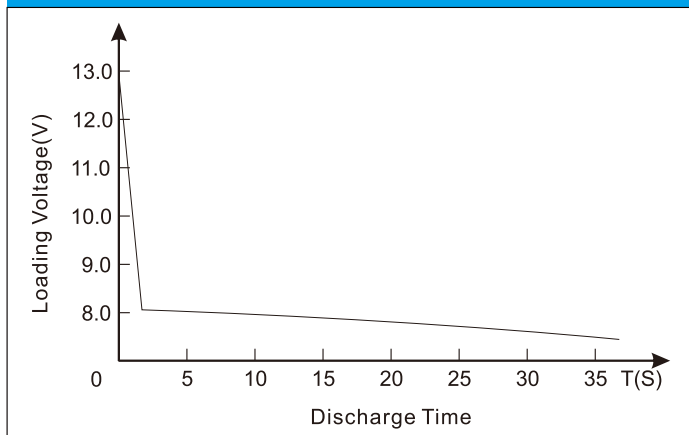


Standard Terminal (mm) Cell Layout

Terminal Type	D		Cell Layout
	Positive	Negative	
1	19.5 ⁰ _{-0.3}	17.9 ⁰ _{-0.3}	

Figure(0)

Discharge Characteristics(-18°C,0°F)



*Values are subject to variation of +/- 5% in normal manufacturing processes.
 *Technical specifications and the product line above could be changed without prior notice.