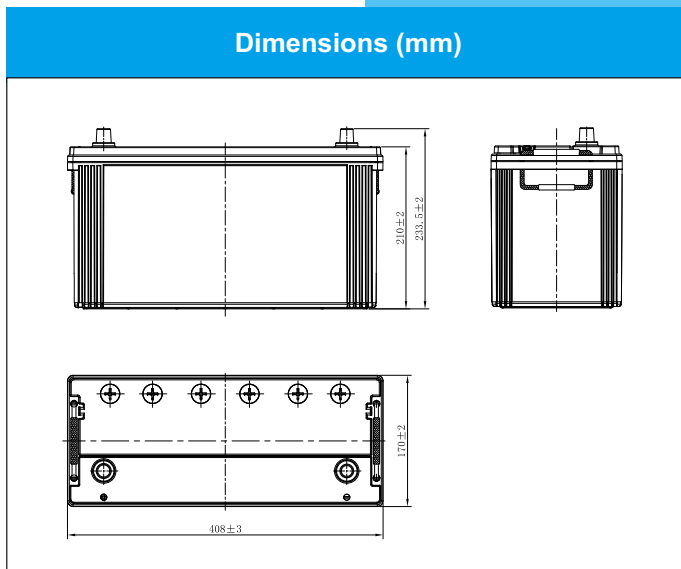




LEOCH BATTERY

6-QWS-95(700)-R (12V95Ah)



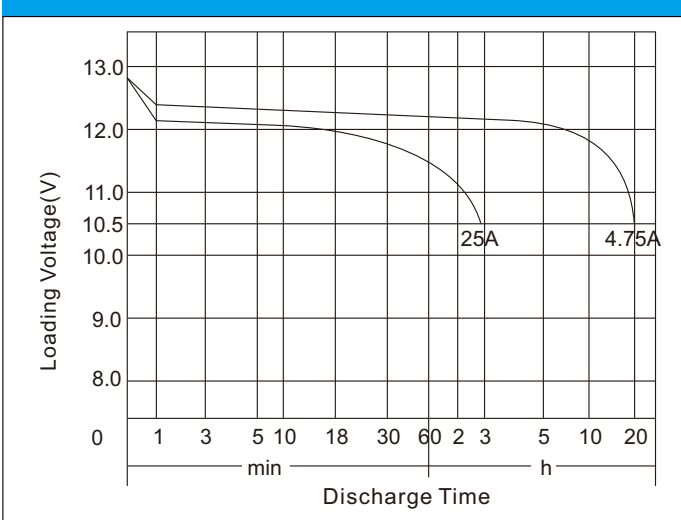
Physical Specification (mm)

| | | |
|------------------------|-----------------------------|-------------------------------------|
| Nominal Voltage | | 12V |
| Nominal Capacity(20HR) | | 95Ah |
| Dimension | Length | 408±3mm(16.06inches) |
| | Width | 170±2mm(6.69inches) |
| | Container Height | 210±2mm(8.27inches) |
| | Total Height(with Terminal) | 233.5±2mm(9.19inches) |
| Weight | | Approx25.5Kg(56.23lbs) |
| Acid | | 1.280±0.015g/cm ³ (25°C) |
| Standard Terminal | | 1 |
| Cell layout | | 1 |
| Hold-Down | | B0 |
| Cell plate qty | | / |
| Case | | Black-PP Material |
| Cover | | Black-PP Material |
| Handle | | Black-PP Material |
| QTY/PLT/layer | | / |

Electrical Specification

| | | |
|---|---------------------|--------|
| Rated Capacity | 20 hour rate(4.75A) | 95Ah |
| Reserve Capacity | | 169min |
| Cold Cranking Performance Amps@0°F(-18°C) | | 700A |

Discharge Characteristics(25°C,70°F)

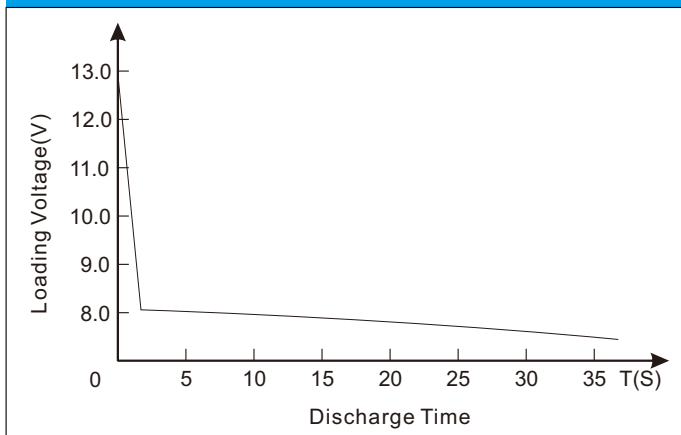


Standard Terminal (mm) Cell Layout

| Terminal Type | D | | Cell Layout |
|---------------|-----------------------------------|-----------------------------------|-------------|
| | Positive | Negative | |
| 1 | 19.5 ⁰ _{-0.3} | 17.9 ⁰ _{-0.3} | |

Figure(1)

Discharge Characteristics(-18°C,0°F)



*Values are subject to variation of +/- 5% in normal manufacturing processes.
 *Technical specifications and the product line above could be changed without prior notice.