

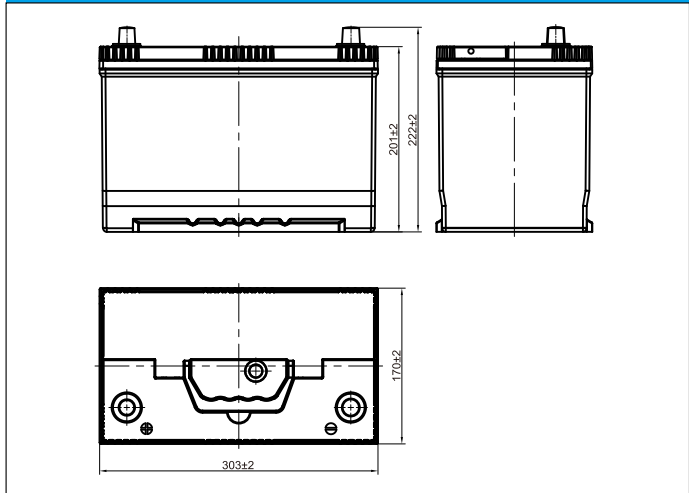


LEOCH BATTERY

JIS 95D31R (12V80Ah)



Dimensions (mm)



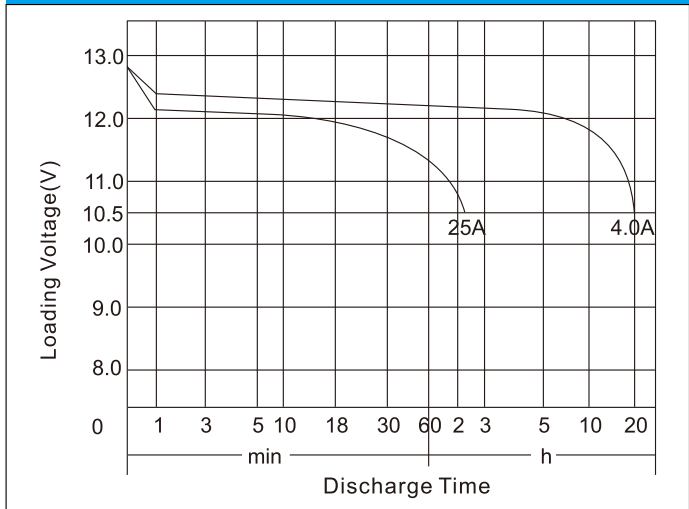
Physical Specification (mm)

Nominal Voltage		12V
Nominal Capacity(20HR)		80Ah
Dimension	Length	303±2mm(11.93inches)
	Width	170±2mm(6.69inches)
	Container Height	201±2mm(7.91inches)
	Total Height(with Terminal)	222±2mm(8.74inches)
Weight		Approx 20.2Kg(44.54lbs)
Acid		1.280±0.015g/cm ³ (25°C)
Standard Terminal		1
Cell layout		1
Hold-Down		B1
Cell plate qty		/
Case		Black-PP Material
Cover		Black-PP Material
Handle		Black-PP Material
QTY/PLT/layer		/

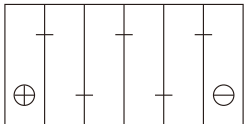
Electrical Specification

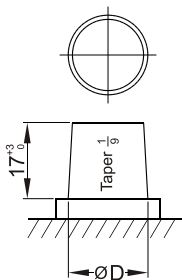
Rated Capacity	20 hour rate(4.0A)	80Ah
Reserve Capacity		138min
Cold Cranking Performance Amps@0°F(-18°C)		630A

Discharge Characteristics(25°C,70°F)



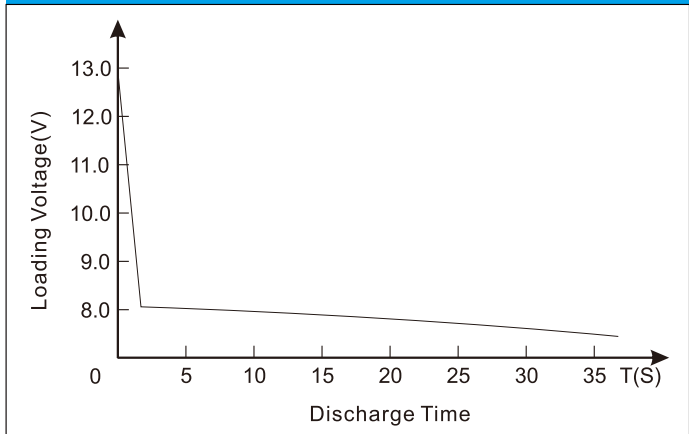
Standard Terminal (mm) Cell Layout

Terminal Type	D		Cell Layout
	Positive	Negative	
1	19.5 ⁰ _{-0.3}	17.9 ⁰ _{-0.3}	



Figure(1)

Discharge Characteristics(-18°C,0°F)



*Values are subject to variation of +/- 5% in normal manufacturing processes.
*Technical specifications and the product line above could be changed without prior notice.