

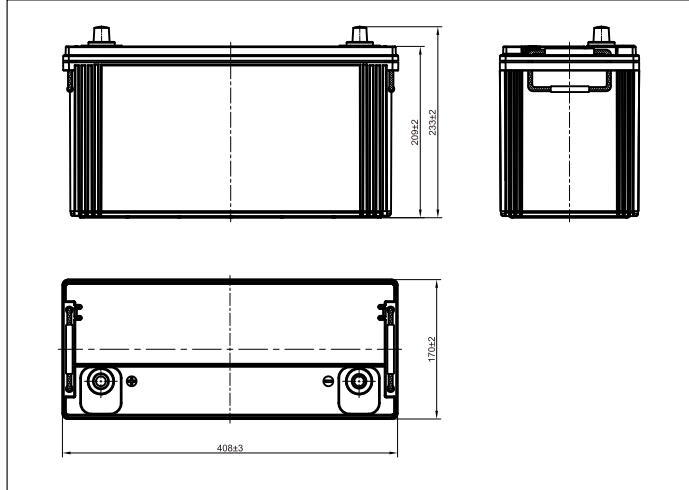


LEOCH BATTERY

# 95E41R 12V100Ah



## Dimensions (mm)



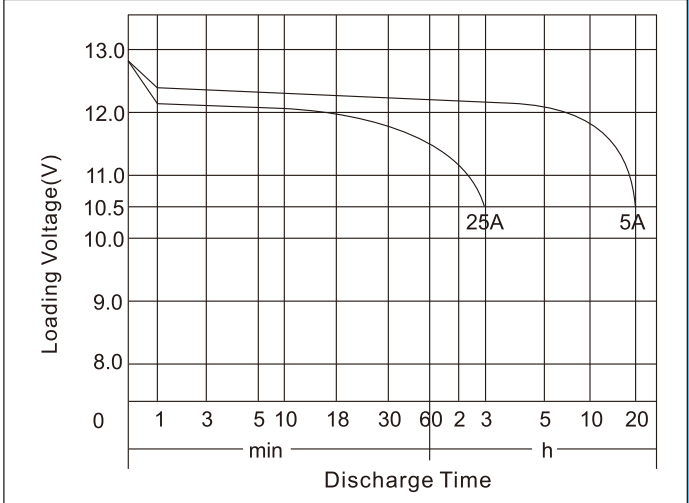
## Physical Specification (mm)

Nominal Voltage		12V
Nominal Capacity(20HR)		100Ah
Dimension	Length	408±3mm(16.06inches)
	Width	170±2mm(6.69inches)
	Container Height	209±2mm(8.22inches)
	Total Height(with Terminal)	233±2mm(9.17inches)
Weight		Approx25.9Kg(57.05lbs)
Acid		1.280±0.015g/cm <sup>3</sup> (25°C)
Standard Terminal		1
Cell layout		1
Hold-Down		B0
Cell plate qty		/
Case		Black-PP Material
Cover		Black-PP Material
Handle		Black-PP Material
QTY/PLT/layer		/

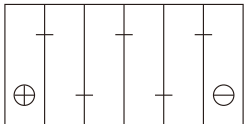
## Electrical Specification

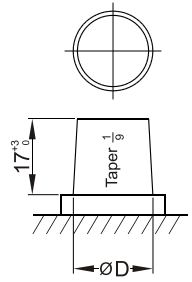
Rated Capacity	20 hour rate(5A)	100Ah
Reserve Capacity		179min
Cold Cranking Performance Amps@0°F(-18°C)		750A

## Discharge Characteristics(25°C,70°F)



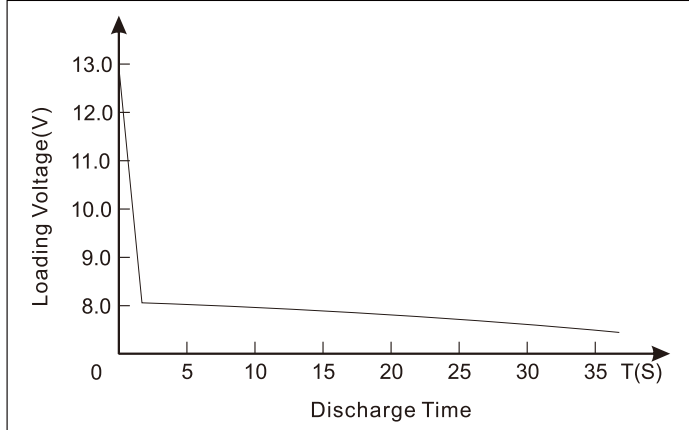
## Standard Terminal (mm)      Cell Layout

Terminal Type	D		Cell Layout
	Positive	Negative	
1	19.5 <sup>0</sup> <sub>-0.3</sub>	17.9 <sup>0</sup> <sub>-0.3</sub>	



Figure(1)

## Discharge Characteristics(-18°C,0°F)



\*Values are subject to variation of +/- 5% in normal manufacturing processes.  
\*Technical specifications and the product line above could be changed without prior notice.