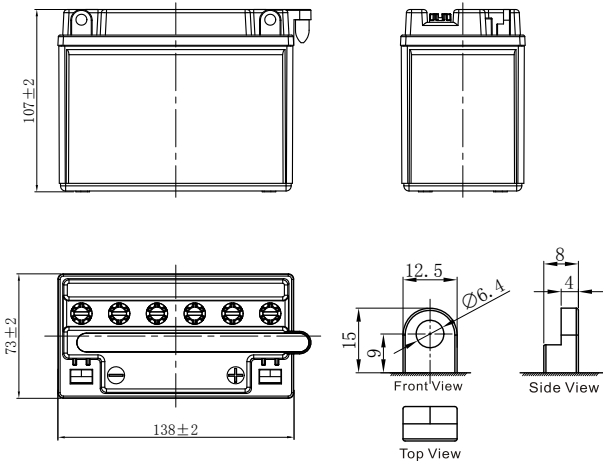
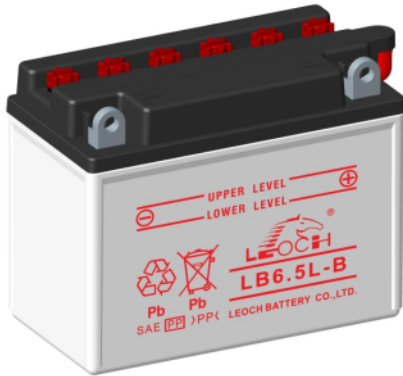


CONVENTIONAL FLOODED MOTORCYCLE BATTERY

LB6.5L-B (12V6.5Ah)



GENERAL FEATURES

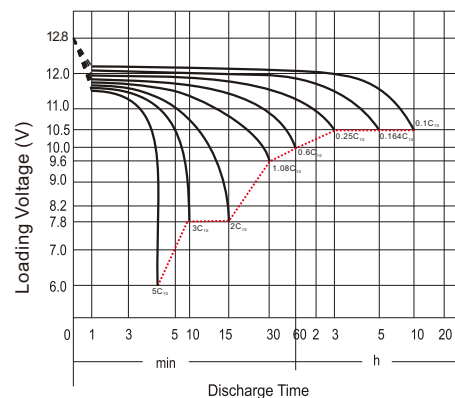
- Low maintenance
- High performance and dry charged high quality and flooded battery
- Shipped without battery electrolyte pre-charged and ready to install

*Values are subject to variation of +/- 5% in normal manufacturing processes.

CHARACTERISTICS

| Item | Specifications | |
|---|--|------------------------------|
| Nominal Voltage | 12V | |
| Nominal Capacity (10HR) | 6.5Ah | |
| Cold Cranking Performance Amps@0°F (-18°C) | 55A | |
| Dimension (±mm) | Length | 138mm (5.43inches) |
| | Width | 73mm (2.87inches) |
| | Container Height | 107mm (4.21inches) |
| | Total Height | 107mm (4.21inches) |
| Battery (with acid) | Approx Weight | 2.36kg (5.20lbs) |
| Electrolyte | Approx Weight | 0.56kg (1.23lbs) |
| Terminal type | B | |
| Battery type | Conventional Flooded (High Performance) Series | |
| Constant-Voltage Charge: | | |
| Initial charging current | Less than 0.3C ₁₀ | |
| Voltage | 14.40V~15.00V at 25°C (77°F) | |
| Charging time | 16~24h | |
| Constant-Current Charge: | | |
| Charging current 0.1C ₁₀ , when charging voltage up to 15.60V, continue to charge 2h | | |
| Floating Charge | Initial charging current | Unlimited |
| | Voltage | 13.50V~13.80V at 25°C (77°F) |
| Capacity affected by Temperature | 40°C (104°F) | 106% |
| | 25°C (77°F) | 100% |
| | 0°C (32°F) | 86% |
| | -15°C (5°F) | 65% |

Discharge Characteristics (25°C, 77°F)



Leoch International Technology Ltd.
www.leoch.com

Leoch Batteries Pte Ltd
www.leoch.sg

Leoch Battery Corporation
www.leochamericas.com

Leoch Europe S.A.
www.leoch.eu