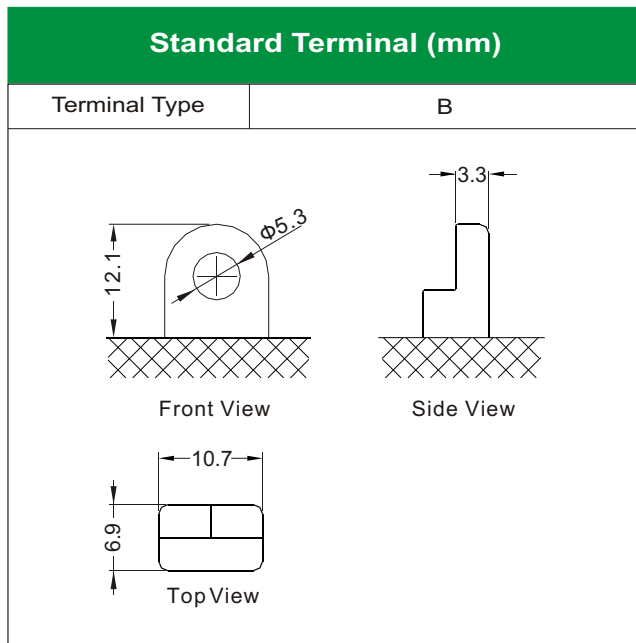
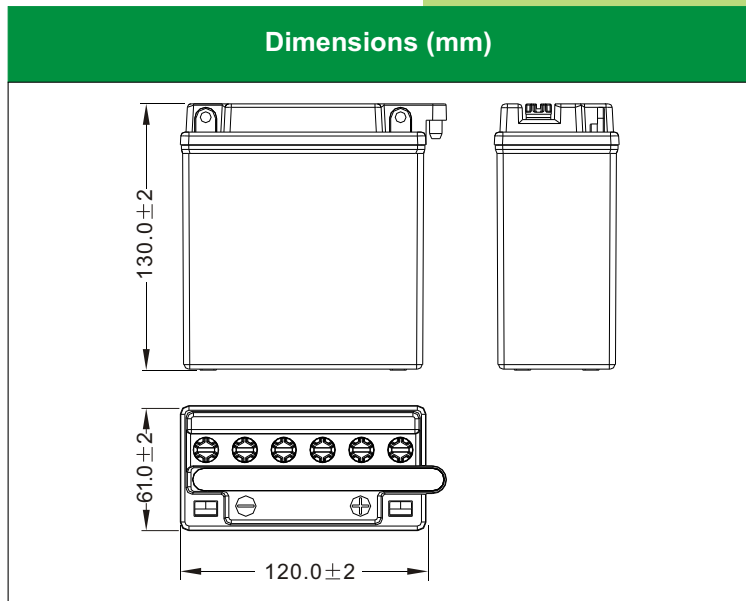




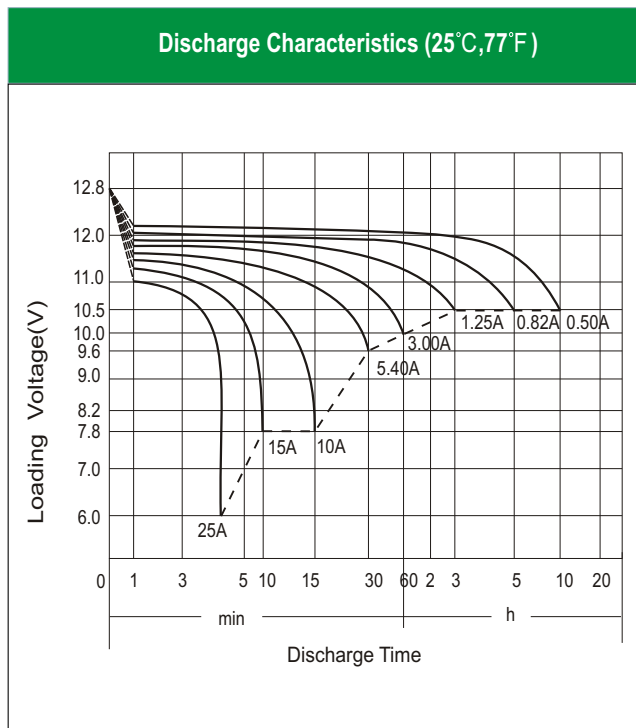
12N5-3B (12V5Ah)



Physical Specification

Nominal Voltage	12V	
Nominal Capacity (10HR)	5AH	
Dimension	Length	120 ± 2mm (4.72 inches)
	Width	61 ± 2mm (2.40 inches)
	Container Height	130 ± 2mm (5.12 inches)
	Total Height (with Terminal)	130 ± 2mm (5.12 inches)
Weight	Battery(with acid): Approx 1.99kg (4.38lbs)	
	Electrolyte: Approx 0.46kg (1.01lbs)	

- * High performance and dry charged high quality and flooded battery
- * Low maintenance
- * Powerful 40 cold cranking amps
- * Shipped without battery electrolyte pre-charged and ready to install
- * Replaces none battery



Electrical Specification

Rated Capacity	10 hour rate (0.50A)	5.00AH
	5 hour rate (0.82 A)	4.10AH
	2 hour rate (1.75 A)	3.50AH
	1 hour rate (3.00 A)	3.00AH
	0.5 hour rate (5.40 A)	2.70AH
Capacity affected by Temperature	40 C (104 F)	106%
	25 C (77 F)	100%
	0 C (32 F)	86%
	-15 C (5 F)	65%
Self Discharge	Approximately 12% per month (25°C (77°F))	
Charging Methods	Full Charge	Constant-Voltage Charge: Initial charging current: less than 1.5A Voltage: 14.40 V ~ 15.00 V at 25 °C (77 °F) Charging time: 16 ~24h Constant-Current Charge: Charging current: 0.5A, when charging voltage up to 15.60V, continue to charge 2h.
	Floating Charge	No limit on Initial charging current Voltage: 13.50 V ~ 13.80 V at 25 °C (77 °F)