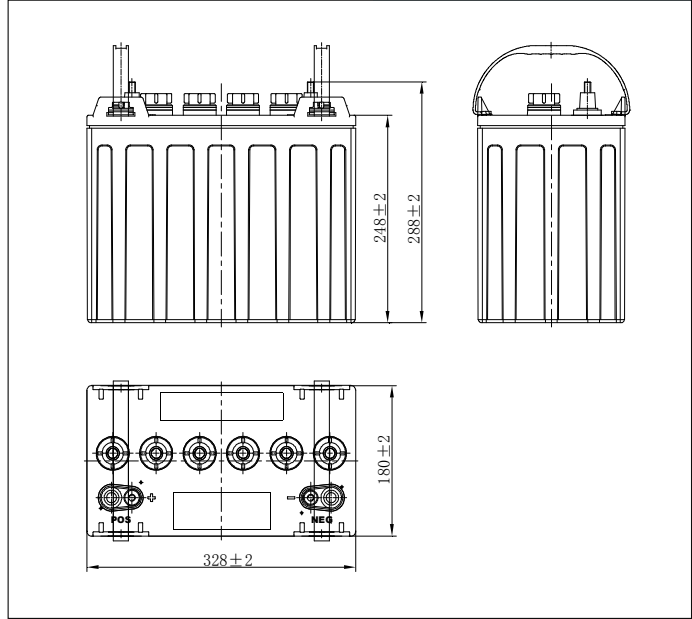




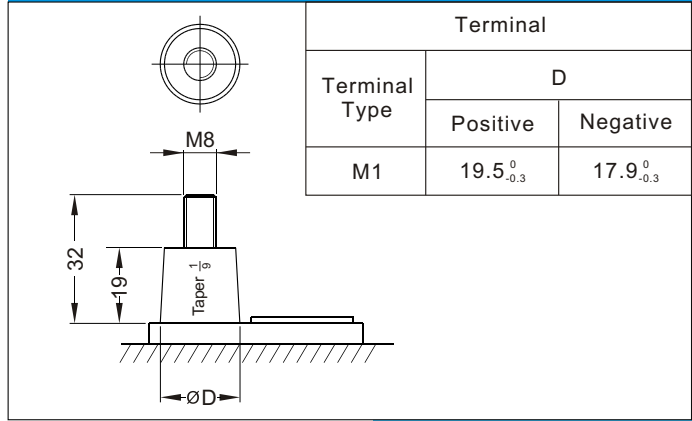
**Dimensions (mm)**



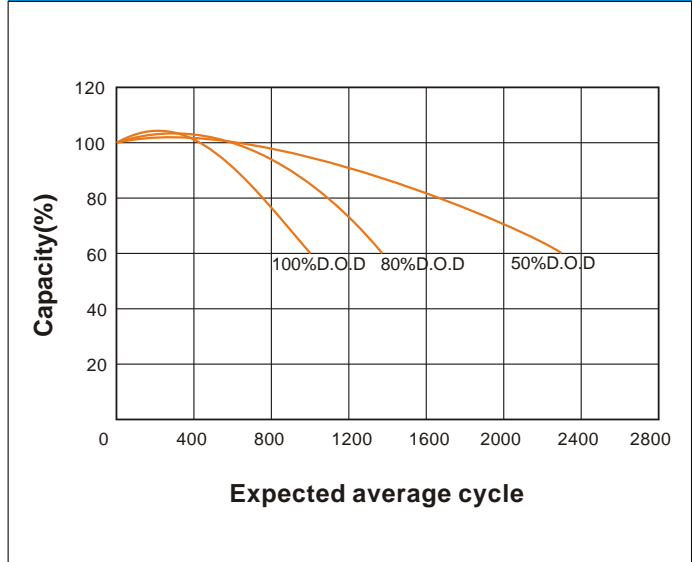
**Physical Specification (mm)**

Nominal Voltage	12V	
Nominal Capacity(20HR)	140Ah	
Nominal Capacity(5HR)	120Ah	
Dimension	Length	328 ± 2mm(12.91inches)
	Width	180 ± 2mm(7.09inches)
	Container Height	248 ± 2mm(9.76inches)
	Total Height(with Terminal)	288 ± 2mm(11.34inches)
Dry Weight	Approx 28.6Kg(63.1lbs)	
Wet Weight	Approx 40.1Kg(88.4lbs)	
Standard Terminal	M1	
Plate type	tubular plate	
Electrolyte type	Acid (flooded)	
Case	Cool Gray8C-Material	
Cover	Cool Gray8C-Material	
Handle	Cool Gray8C-Material	

**Standard Terminal (mm)**



**Cycle life in relation to depth of discharge**



**Electrical Specification**

Rated Capacity	20 hour rate(7.0A)	140Ah
	5 hour rate(24A)	120Ah
Reserve Capacity	25Amps	270min