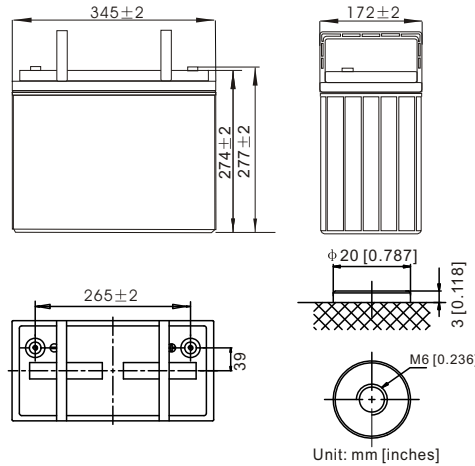




UPS ULTRA HIGH RATE XP12-540(12V155AH)



Application

- ◆ UPS (High rate)
- ◆ High power backup supply
- ◆ Emergency power supply
- ◆ Emergency lighting
- ◆ Electric starting

Specification

Battery Type	Valve-Regulated, Absorbed Glass Mat (AGM) Technology		Self Discharge	3% of capacity declined per month at 20°C	
Capacity	539.0Watts/cell	15min rate(1.67V/cell)	Current	Max. Discharge Current(5s)	2015A
	155.0AH	20HR(1.80V/cell)		Initial Charging Current	Less than 46.5A
Dimensions	Length	345mm(13.5inches)	Operating Temp. Range	Discharge	-15~50 °C(5~122 °F)
	Width	172mm(6.73inches)		Charging	0~40 °C(32~104 °F)
	Height	274mm(10.8inches)		Storage	-15~40 °C(5~104 °F)
	Total height	277mm(10.91inches)	Internal Resistance	Full Charged at 25 °C : Approx 3.1mΩ	
Approx Weight	Approx 44.0 kg (97.0lbs)		Container Material	ABS	
			Terminal	T8	

Constant Power Discharge (Watts/Cell) at 25 °C (77°F)

F.V/Time	5min	10min	15min	20min	30min	45min	1h	2h	3h	4h	5h	6h	8h	10h	20h
1.85V/cell	537.7	438.4	382.7	337.8	271.0	209.1	172.5	102.8	74.4	59.5	49.8	43.5	34.9	29.5	15.6
1.80V/cell	615.4	480.8	417.8	371.3	293.0	223.2	181.3	106.8	77.1	61.2	51.1	44.4	35.6	30.0	15.9
1.75V/cell	710.1	530.7	458.9	398.9	312.2	235.1	190.2	110.7	79.2	62.5	52.0	45.2	36.1	30.4	16.2
1.70V/cell	785.4	577.9	499.2	430.2	332.1	246.5	197.9	113.6	80.8	63.8	53.0	45.8	36.7	30.9	16.4
1.67V/cell	852.0	630.1	539.0	454.3	344.4	255.5	203.8	116.8	82.8	65.0	53.9	46.6	37.2	31.2	16.6
1.60V/cell	908.9	667.5	558.6	468.8	354.4	261.2	207.5	117.7	82.9	65.5	54.3	47.1	37.5	31.3	16.6

Constant Current Discharge (Amperes) at 25 °C (77°F)

F.V/Time	5min	10min	15min	20min	30min	45min	1h	2h	3h	4h	5h	6h	8h	10h	20h
1.85V/cell	282.7	227.9	197.5	173.4	138.3	106.0	87.0	51.5	37.2	29.6	24.6	21.4	17.1	14.3	7.57
1.80V/cell	327.4	252.0	217.6	192.0	150.7	114.1	92.1	54.0	38.8	30.7	25.5	22.1	17.6	14.7	7.75
1.75V/cell	381.3	281.8	241.2	207.9	161.8	121.1	97.3	56.3	40.1	31.5	26.1	22.6	17.9	15.0	7.93
1.70V/cell	425.9	309.7	265.0	225.9	173.3	127.9	102.0	58.2	41.2	32.3	26.7	23.0	18.3	15.3	8.06
1.67V/cell	466.9	341.3	288.5	240.4	180.8	133.3	105.6	60.1	42.4	33.1	27.3	23.5	18.7	15.5	8.20
1.60V/cell	507.8	369.2	304.4	253.4	190.0	138.9	109.5	61.7	43.2	34.0	28.0	24.2	19.1	15.9	8.36