

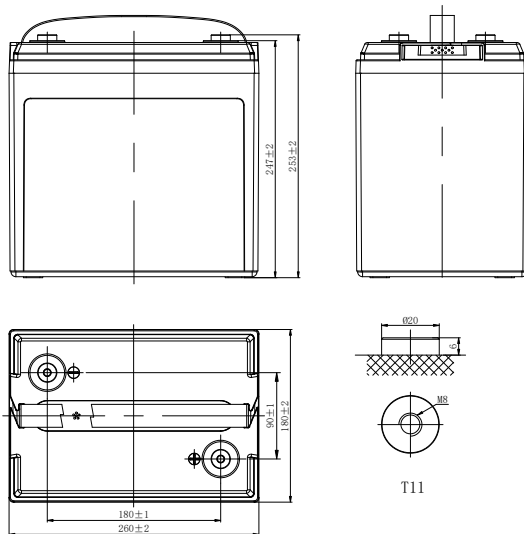
# SUPERIOR DEEP CYCLE AGM BATTERY

LDC6-224-GC2 (6V224Ah)



## CHARACTERISTICS

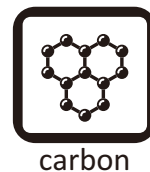
Item	Specifications	
Voltage	6V	
Dimension	Length	260mm (10.2inches)
	Width	180mm (7.09inches)
	Container Height	247mm (9.72inches)
	Total Height	253mm (9.96inches)
Approx Weight	30.5kg (67.2lbs)	
Terminal	T11(M8)	
Container Material	ABS	
Reserve Capacity	25A	490min
	56A	188min
	75A	135min
Capacity	20HR	224Ah
	10HR	210Ah
	5HR	192Ah
	Operating Temp. Range	Discharge
Charge		0~40°C (32~104°F)
Storage		-15~40°C (5~104°F)



Note: Terminal Torque Values in-b(Nm):97.28-130.0(11-14.7)

## APPLICATIONS

- Electric vehicle
- Golf cart
- Sightseeing
- Cleaning equipment
- AWP
- Mobility



# SUPERIOR DEEP CYCLE AGM BATTERY

## LDC6-224-GC2 (6V224Ah)



### GENERAL FEATURES

#### Stable initial capacity

- PAM/NAM amount optimization
- 4BS crystal paste mixing & curing technology
- Double layer separator technology
- Improved design electrolyte S.G.

#### Less water loss

- PAM/NAM amount optimization
- New PAM/NAM recipe introduced
- Rare earth alloy

#### Solve NAM sulphation

- Carbon boost technology
- Pre-sulfate technology

#### Improved PSoC cycling

- Carbon boost technology
- Mix carbon boost technology
- Targeting for higher level through carbon technology

#### Delay PAM softening and shedding

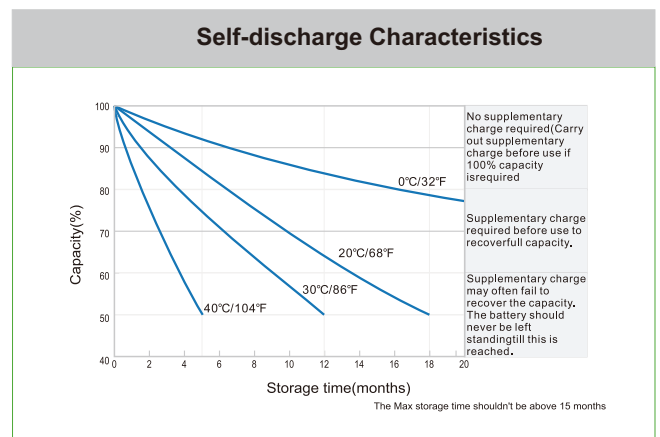
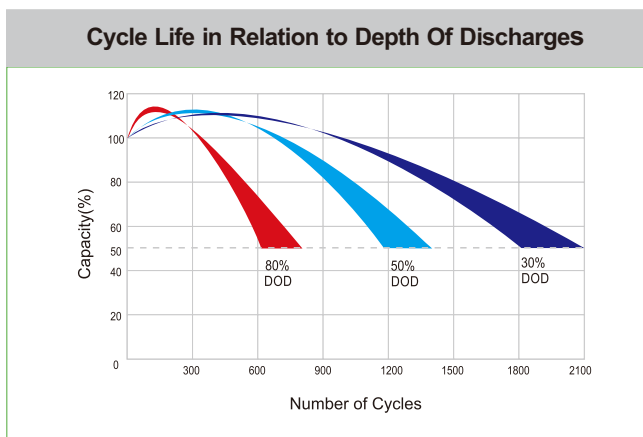
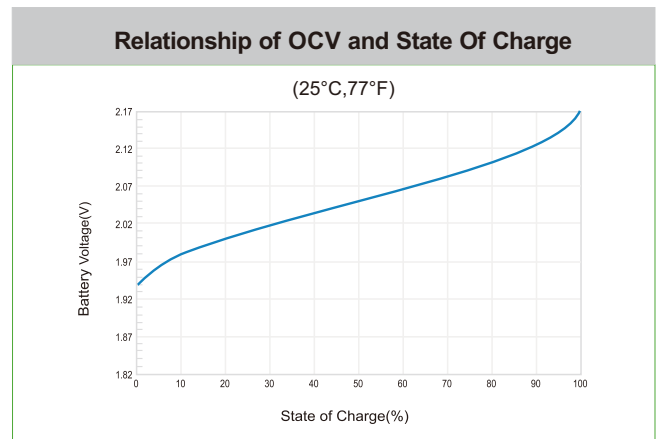
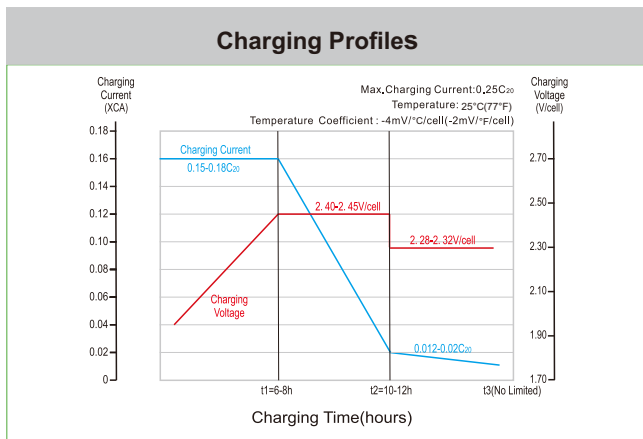
- Plate assembly pressure re-engineering
- 4BS crystal paste mixing & curing technology
- Higher paste density

#### Optimize electrolyte stratification

- Introduce AGM-GEL technology

#### Excellent deep cycle performance

- Plate assembly pressure re-engineering
- New PAM/NAM recipe introduced
- Gel electrolyte technology
- Rare earth alloy
- Double layer separator technology
- Lower acid filling temperature



Leoch International Technology Ltd.  
www.leoch.com

Leoch Batteries Pte Ltd  
www.leoch.sg

Leoch Battery Corporation  
www.leochamericas.com

Leoch Europe S.A.  
www.leoch.eu