

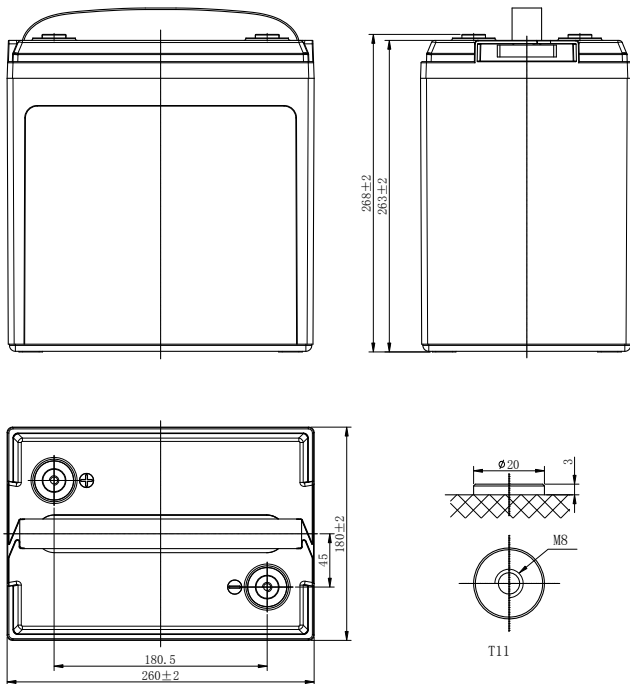
INCOMPARABLE DEEP CYCLE AGM BATTERY

LDC6-270 (6V270Ah)



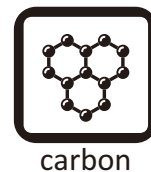
CHARACTERISTICS

Item	Specifications	
Voltage	6V	
Dimension	Length	260mm (10.2inches)
	Width	180mm (7.09inches)
	Container Height	263mm (10.4inches)
	Total Height	268mm (10.6inches)
Approx Weight	34.7kg (76.5lbs)	
Terminal	T11(M8)	
Container Material	ABS	
Reserve Capacity	25A	630min
	75A	180min
Capacity	20HR	270Ah
	5HR	235Ah
Operating Temp. Range	Discharge	-20~55°C (-4~131°F)
	Charge	0~40°C (32~104°F)
	Storage	-15~40°C (5~104°F)



APPLICATIONS

- Electric vehicle
- Golf cart
- Sightseeing
- Cleaning equipment
- AWP
- Mobility



Note: Terminal Torque Values in-lb(Nm):97.28-130.0(11.0-14.7)



INCOMPARABLE DEEP CYCLE AGM BATTERY

LDC6-270 (6V270Ah)



GENERAL FEATURES

Stable initial capacity

- PAM/NAM amount optimization
- 4BS crystal paste mixing & curing technology
- Double layer separator technology
- Improved design electrolyte S.G.

Less water loss

- PAM/NAM amount optimization
- New PAM/NAM recipe introduced
- Rare earth alloy

Solve NAM sulphation

- Carbon boost technology
- Pre-sulfate technology

Improved PSoC cycling

- Carbon boost technology
- Mix carbon boost technology
- Targeting for higher level through carbon technology

Delay PAM softening and shedding

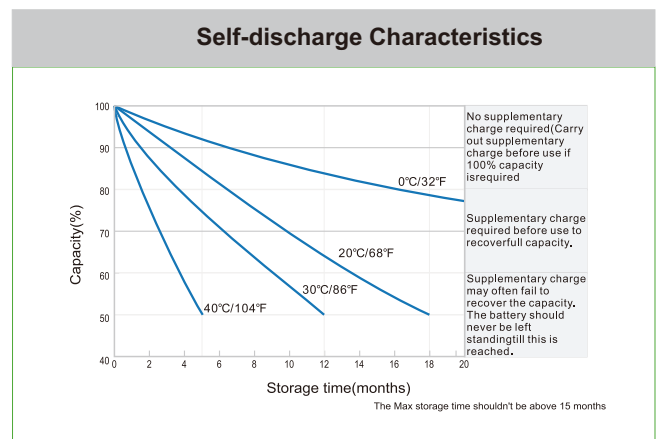
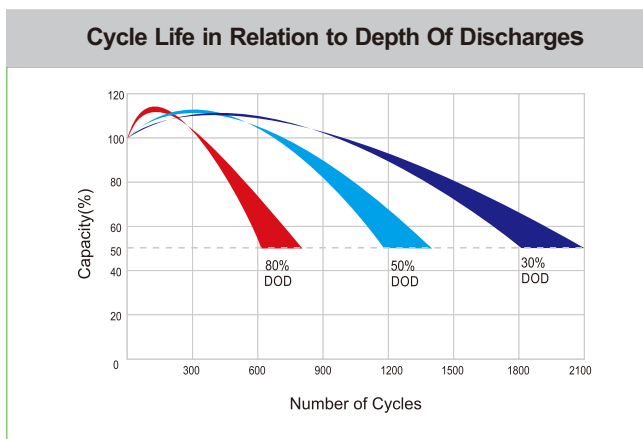
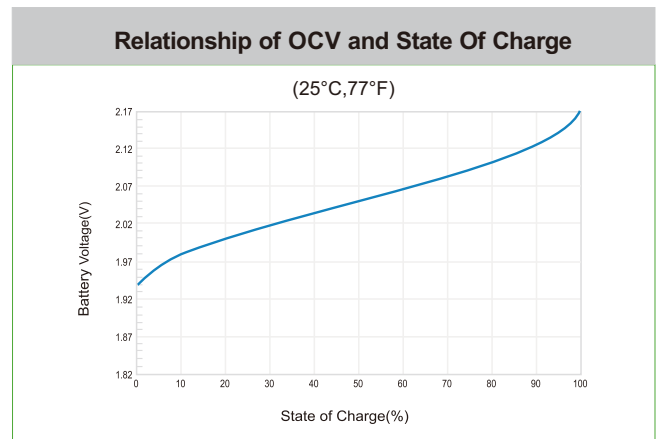
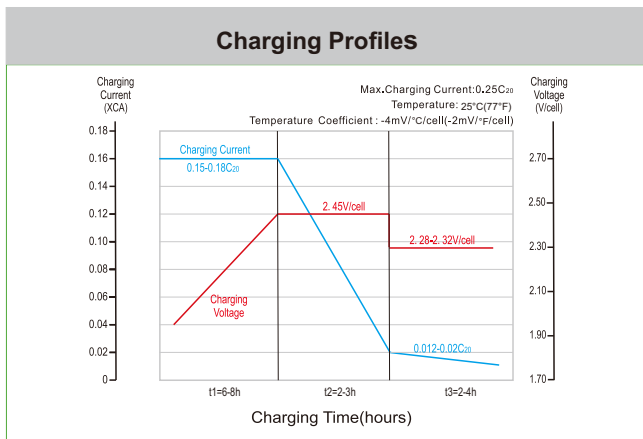
- Plate assembly pressure re-engineering
- 4BS crystal paste mixing & curing technology
- Higher paste density

Optimize electrolyte stratification

- Introduce AGM-GEL technology

Excellent deep cycle performance

- Plate assembly pressure re-engineering
- New PAM/NAM recipe introduced
- Gel electrolyte technology
- Rare earth alloy
- Double layer separator technology
- Lower acid filling temperature



Leoch International Technology Ltd.
www.leoch.com

Leoch Batteries Pte Ltd
www.leoch.sg

Leoch Battery Corporation
www.leochamericas.com

Leoch Europe S.A.
www.leoch.eu