

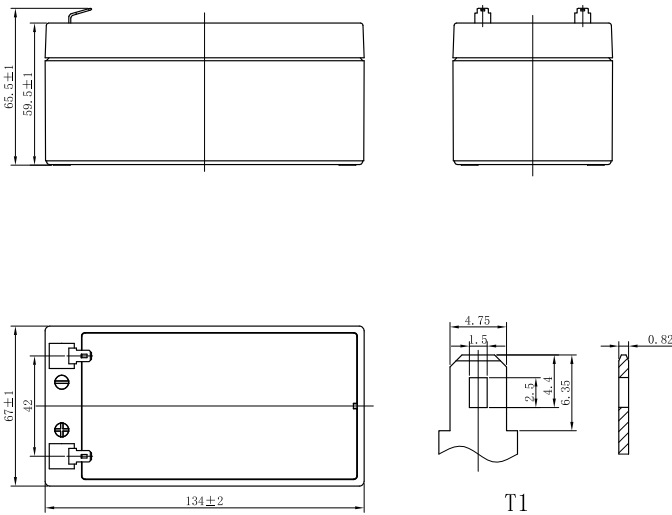
# LPC SERIES-CYCLE APPLICATION

LPC12-3.5 (12V3.5Ah)



## CHARACTERISTICS

Item	Specifications
Voltage	12V
Dimension	Length 134mm (5.28inches)
	Width 67mm (2.64inches)
	Container Height 59.5mm (2.34inches)
	Total Height 65.5mm (2.58inches)
Approx Weight	1.19kg (2.62lbs)
Terminal	T1/T2
Container Material	ABS
Short-circuit current	98A
Internal Resistance (25°C)	≤ 40 mΩ
Self Discharge	≤3% per month at 25°C (77°F)
	20HR 3.5Ah
	10HR 3.31Ah
	5HR 3.01Ah
Operating Temp. Range	Discharge -20~55°C (-4~131°F)
	Charge 0~40°C (32~104°F)
	Storage -20~50°C (-4~122°F)



## APPLICATIONS

- Golf trolley
- Medical facility
- Mobility scooter
- Electric wheelchair
- Other mobility device

## STANDARDS

- ACC. to BCI standards
- Manufactured in Leoch® IATF16949, ISO 9001, ISO 14001 and ISO 45001 certified production facilities

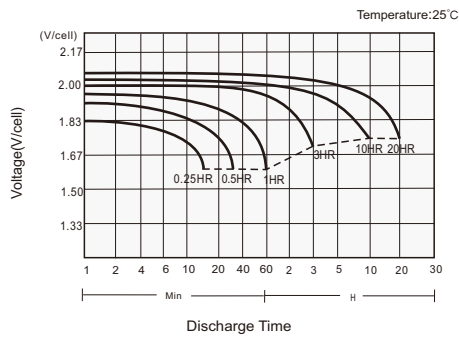
# LPC SERIES-CYCLE APPLICATION

## LPC12-3.5 (12V3.5Ah)

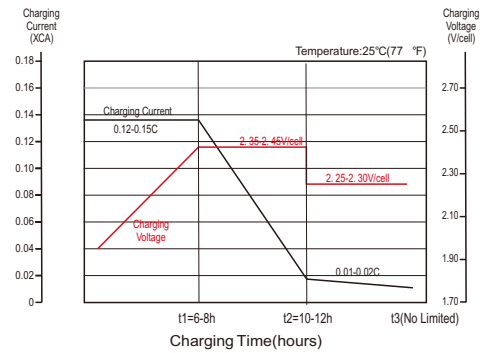
### GENERAL FEATURES

- Good cyclic property: Enhanced overcharge endurance and overdischarge recovery property
- Using oxygen recombination technology: maintenance-free
- Lower acid density, excess of electrolyte and larger distance between plates to keep battery at low temperature and slow down plate grid corrosion speed
- Unique plate group configuration, high quality AGM separator and battery management system ensure battery with a longer service life

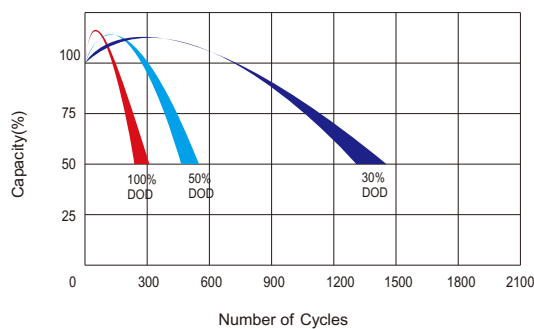
#### Discharge Characteristics



#### Charging Characteristics



#### Cycle Life in Relation to Depth of Discharge



#### Self Discharge Characteristics

