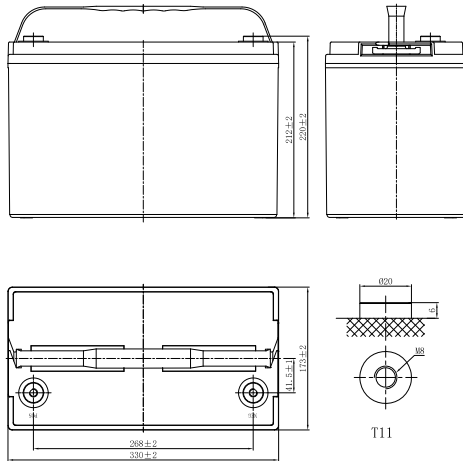


LHR SERIES-HIGH RATE

LHR12370W (12V370W)



CHARACTERISTICS

Item	Specifications	
Rated Voltage	12V	
Nominal Rate (25°C)	W ₁₅ , 1.67V/cell	370W/cell
Nominal Capacity (25°C)	C ₁₀ , 1.80V/cell	100Ah
Dimension	Length	330mm (13.0inches)
	Width	173mm (6.81inches)
	Container Height	212mm (8.35inches)
	Total Height	220mm (8.66inches)
Approx Weight	30.7kg (67.7lbs)	
Terminal	T11(M8)	
Container Material	ABS (UL94 HB or V-0 optional)	
Short-circuit current	2000A	
Internal Resistance (25°C)	Approx 5 mΩ (Fully charged)	
Operating Temp. Range	Discharge	-20~55°C (-4~131°F)
	Charge	-20~40°C (-4~104°F)
	Storage	-15~50°C (5~122°F)
Nominal Operating Temp. Range	25±3°C (77±5°F)	
Max.Charging Current (25°C)	0.25C	
Charge voltage (25°C)	Float Charge	Equalization Charge
	2.25-2.30V/cell	2.30-2.40V/cell
Temp. Coefficient	-3mV/cell/°C	-4mV/cell/°C
	40°C (104°F)	106%
Effect of temp. to Capacity	25°C (77°F)	100%
	0°C (32°F)	86%
	Self Discharge	≤ 3% per month at 25°C (77°F)

DISCHARGE TABLE

Constant Current Discharge (Amperes) at 25°C (77°F)														
F.V/Time	5min	10min	15min	20min	30min	45min	1h	1.5h	2h	3h	4h	5h	8h	10h
1.85V/cell	221.3	176.7	153.2	120.5	83.5	67.9	55.0	40.4	33.1	24.6	19.5	16.5	11.4	9.73
1.80V/cell	251.7	200.6	173.6	136.2	94.1	72.1	56.9	41.6	35.0	25.4	20.2	17.1	11.6	10.0
1.75V/cell	273.4	217.5	188.0	147.1	101.2	76.5	59.2	43.3	36.3	26.0	20.9	17.6	11.7	10.1
1.70V/cell	292.3	231.9	199.6	155.9	107.3	80.2	61.8	45.2	37.2	26.5	21.4	18.0	11.9	10.2
1.67V/cell	302.5	239.3	205.4	160.2	109.9	82.4	62.5	46.3	38.1	27.1	21.6	18.2	12.0	10.3
1.60V/cell	313.2	247.5	211.8	164.3	112.6	84.5	63.6	47.9	38.8	27.8	22.1	18.6	12.1	10.4

Constant Power Discharge (Watts/cell) at 25°C (77°F)														
F.V/Time	5min	10min	15min	20min	30min	45min	1h	1.5h	2h	3h	4h	5h	8h	10h
1.85V/cell	413.4	332.4	290.1	229.2	159.5	130.6	106.5	78.3	64.3	48.1	38.2	32.4	22.6	19.3
1.80V/cell	462.4	371.9	324.5	256.3	178.5	137.7	109.4	80.3	67.7	49.5	39.4	33.6	23.0	19.8
1.75V/cell	493.5	396.9	346.3	273.6	190.5	145.2	113.4	83.2	70.0	50.4	40.6	34.4	23.1	19.9
1.70V/cell	518.8	417.2	364.1	287.6	200.2	151.3	117.8	86.3	71.4	51.3	41.4	35.1	23.5	20.0
1.67V/cell	527.3	424.0	370.0	292.3	203.5	154.6	118.4	88.1	72.8	52.2	41.8	35.4	23.7	20.3
1.60V/cell	534.6	430.0	375.2	296.4	206.3	156.9	119.7	90.4	73.8	53.2	42.6	36.0	23.8	20.4

LHR SERIES-HIGH RATE

LHR12370W (12V370W)



APPLICATIONS

- UPS
- Hospitals and Testing Laboratories
- Emergency Power Supply
- Industrial Process Control Facilities
- Banks and Financial Markets
- Data and Network Operation Centers

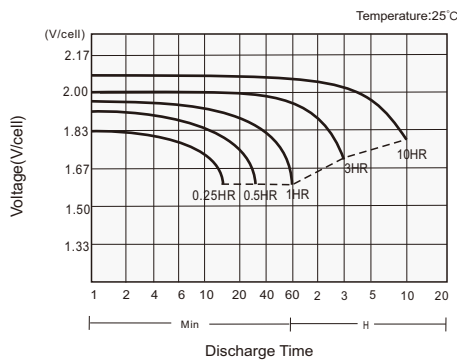
GENERAL FEATURES

- 12 years design life (25°C)
- Excellent high current performance - optimised for short discharge time
- Advanced AGM technology for superior high-rate power
- Long Life Alloy - minimizing grid growth, reducing gassing, and extending battery life
- Epoxy-sealed posts eliminate leaks
- Optimal energy density - saves floor space

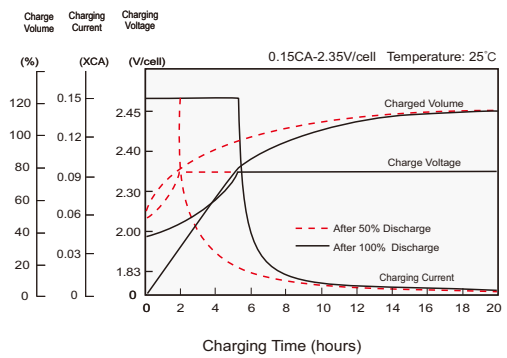
STANDARDS

- Compliance with IEC 60896 standards
- Classified as "Long Life" according to Eurobat
- CE, UL Approved
- Manufactured in Leoch@IATF 16949, ISO 45001, ISO 9001 and ISO 14001 certified production facilities

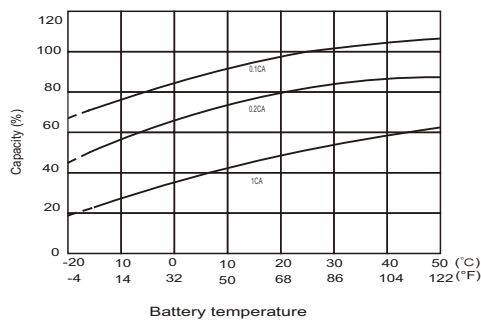
Discharge Characteristics



Charging Characteristics



Effects of Temperature on Capacity



Self Discharge Characteristics

