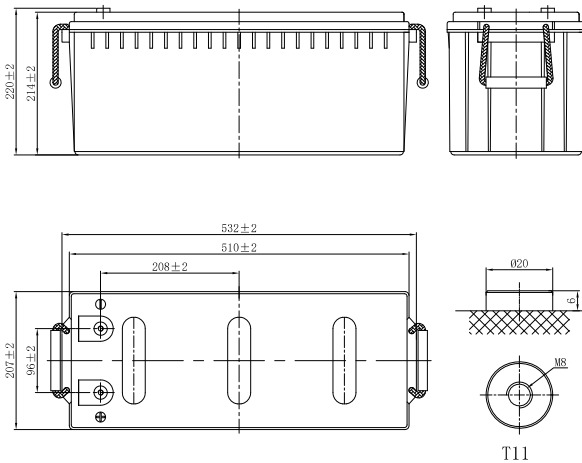


LHR SERIES-HIGH RATE

LHR12705W (12V705W)



CHARACTERISTICS

Item	Specifications	
Rated Voltage	12V	
Nominal Rate (25°C)	W ₁₅ , 1.67V/cell	705W/cell
Nominal Capacity (25°C)	C ₁₀ , 1.80V/cell	190Ah
Dimension	Length	532mm (20.9inches)
	Width	207mm (8.15inches)
	Container Height	214mm (8.43inches)
	Total Height	220mm (8.66inches)
Approx Weight	59.0kg (130.1lbs)	
Terminal	T11(M8)	
Container Material	ABS (UL94 HB or V-0 optional)	
Short-circuit current	3800A	
Internal Resistance (25°C)	Approx 3 mΩ (Fully charged)	
Operating Temp. Range	Discharge	-20~55°C (-4~131°F)
	Charge	-20~40°C (-4~104°F)
	Storage	-15~50°C (5~122°F)
Nominal Operating Temp. Range	25±3°C (77±5°F)	
Max.Charging Current (25°C)	0.25C	
Charge voltage (25°C)	Standby Use	Equalization Use
	2.25-2.30V/cell	2.30-2.40V/cell
Temp. Coefficient	-3mV/cell/°C	-4mV/cell/°C
	40°C (104°F)	106%
Effect of temp. to Capacity	25°C (77°F)	100%
	0°C (32°F)	86%
	Self Discharge	≤ 3% per month at 25°C (77°F)

DISCHARGE TABLE

Constant Current Discharge (Amperes) at 25°C (77°F)														
F.V/Time	5min	10min	15min	20min	30min	45min	1h	1.5h	2h	3h	4h	5h	8h	10h
1.85V/cell	418.7	334.3	289.8	227.9	157.9	129.0	104.6	76.8	62.8	46.8	37.0	31.3	21.6	18.5
1.80V/cell	476.2	379.5	328.5	257.7	178.1	137.0	108.1	79.1	66.5	48.3	38.3	32.5	22.1	19.0
1.75V/cell	517.3	411.5	355.6	278.2	191.5	145.3	112.5	82.4	69.0	49.3	39.6	33.5	22.3	19.1
1.70V/cell	553.0	438.8	377.7	295.0	203.1	152.5	117.5	85.8	70.7	50.4	40.6	34.2	22.6	19.2
1.67V/cell	572.3	452.7	388.7	303.0	207.9	156.6	118.7	88.1	72.4	51.5	41.1	34.7	22.9	19.5
1.60V/cell	592.5	468.2	400.7	310.8	213.0	160.5	120.9	91.0	73.8	52.8	42.0	35.3	23.0	19.6

Constant Power Discharge (Watts/cell) at 25°C (77°F)														
F.V/Time	5min	10min	15min	20min	30min	45min	1h	1.5h	2h	3h	4h	5h	8h	10h
1.85V/cell	782.0	628.9	548.8	433.6	301.8	248.1	202.3	148.9	122.2	91.4	72.5	61.6	42.9	36.8
1.80V/cell	874.8	703.5	613.9	485.0	337.6	261.7	207.9	152.5	128.7	94.0	75.0	63.8	43.7	37.7
1.75V/cell	933.7	750.9	655.2	517.6	360.4	275.8	215.5	158.1	133.1	95.7	77.2	65.4	44.0	37.8
1.70V/cell	981.5	789.4	688.8	544.2	378.8	287.5	223.7	163.9	135.7	97.5	78.7	66.7	44.6	38.1
1.67V/cell	997.5	802.2	705.0	553.0	385.0	293.7	224.9	167.4	138.4	99.1	79.5	67.3	45.0	38.6
1.60V/cell	1011.5	813.4	709.8	560.7	390.4	298.1	227.4	171.8	140.2	101.2	80.9	68.4	45.2	38.7

LHR SERIES-HIGH RATE

LHR12705W (12V705W)



APPLICATIONS

- UPS
- Hospitals and Testing Laboratories
- Emergency Power Supply
- Industrial Process Control Facilities
- Banks and Financial Markets
- Data and Network Operation Centers

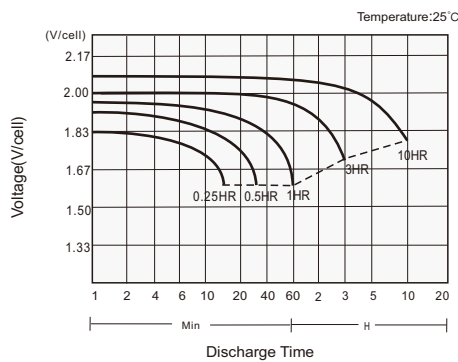
GENERAL FEATURES

- 12 years design life (25°C)
- Excellent high current performance - optimised for short discharge time
- Advanced AGM technology for superior high-rate power
- Long Life Alloy - minimizing grid growth, reducing gassing, and extending battery life
- Epoxy-sealed posts eliminate leaks
- Optimal energy density - saves floor space

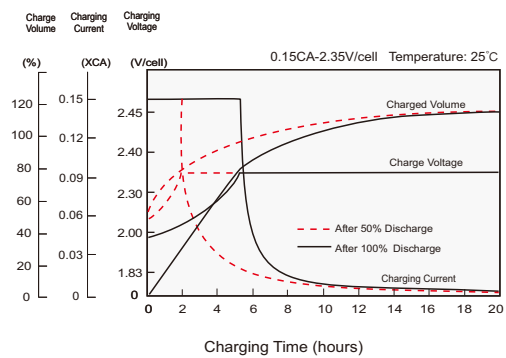
STANDARDS

- Compliance with IEC 60896 standards
- Classified as "Long Life" according to Eurobat
- CE, UL Approved
- Manufactured in Leoch@IATF 16949, ISO 45001, ISO 9001 and ISO 14001 certified production facilities

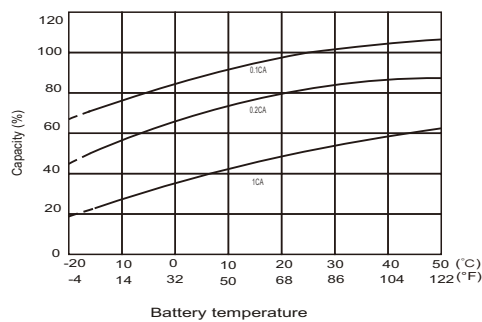
Discharge Characteristics



Charging Characteristics



Effects of Temperature on Capacity



Self Discharge Characteristics

