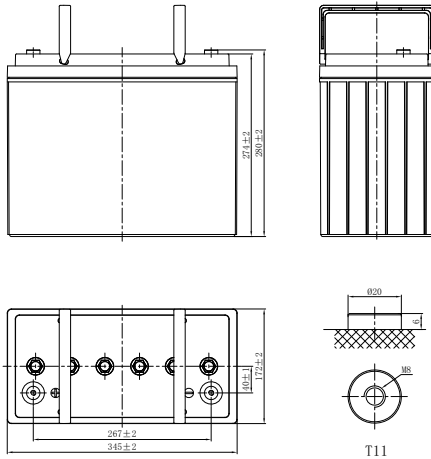


LPG SERIES-GEL BATTERY

LPG12-125 (12V125Ah)



CHARACTERISTICS

Item	Specifications	
Rated Voltage	12V	
Nominal Capacity (25°C)	C ₂₀ , 1.80V/cell	125Ah
Dimension	Length	345mm (13.6inches)
	Width	172mm (6.77inches)
	Container Height	274mm (10.8inches)
	Total Height	280mm (11.0inches)
Approx Weight	40.0kg (88.2lbs)	
Terminal	T11(M8)	
Container Material	ABS (UL94 HB or V-0 optional)	
Short-circuit current	2250A	
Internal Resistance (25°C)	Approx 8.3 mΩ (Fully charged)	
Operating Temp. Range	Discharge	-20~60°C (-4~140°F)
	Charge	-20~40°C (-4~104°F)
	Storage	-20~50°C (-4~122°F)
Nominal Operating Temp. Range	25±3°C (77±5°F)	
Max.Charging Current (25°C)	0.25C	
Charge voltage (25°C)	Standby Use	Cycle Use
	2.23-2.27V/cell	2.35-2.40V/cell
Temp. Coefficient	-3mV/cell/°C	
	-5mV/cell/°C	
Effect of temp. to Capacity	40°C (104°F)	103%
	25°C (77°F)	100%
	0°C (32°F)	86%
Self Discharge	≤2.5% per month at 25°C (77°F). LPG series batteries may be stored up to 9 months at 25°C (77°F) and then a freshening charge is required. For higher temperatures the time interval will be shorter.	

DISCHARGE TABLE

Constant Current Discharge (Amperes) at 25°C (77°F)															
F.V/Time	10min	15min	20min	30min	45min	1h	1.5h	2h	3h	4h	5h	6h	8h	10h	20h
1.85V/cell	164.5	142.6	112.2	101.5	74.2	58.8	45.5	36.3	28.8	23.4	20.4	17.8	14.5	12.3	6.33
1.80V/cell	186.7	161.6	126.8	110.5	78.6	65.0	48.3	40.0	31.7	25.5	21.5	18.9	15.1	12.5	6.50
1.75V/cell	202.5	175.0	136.9	112.7	81.5	72.9	52.9	42.9	32.9	26.3	22.2	19.5	15.4	12.9	6.82
1.70V/cell	211.8	183.8	144.0	113.5	82.7	75.1	54.2	43.7	33.5	26.4	22.5	19.6	15.5	13.0	6.91
1.67V/cell	222.7	191.3	149.1	116.7	84.3	76.6	55.3	44.6	34.0	26.7	22.8	19.8	15.6	13.1	6.97
1.60V/cell	230.4	197.2	152.9	118.4	85.5	79.1	56.8	45.6	34.4	27.2	23.3	20.1	15.7	13.2	7.08
Constant Power Discharge (Watts/cell) at 25°C (77°F)															
F.V/Time	10min	15min	20min	30min	45min	1h	1.5h	2h	3h	4h	5h	6h	8h	10h	20h
1.85V/cell	309.5	270.0	213.3	193.9	142.7	114.2	89.0	71.0	56.5	46.1	40.2	35.2	28.7	24.3	12.6
1.80V/cell	346.2	302.1	238.6	209.4	150.2	125.5	93.7	77.8	61.8	49.9	42.1	37.1	29.7	24.7	12.9
1.75V/cell	369.5	322.4	254.7	212.1	154.7	139.7	101.9	83.0	64.0	51.2	43.3	38.2	30.2	25.4	13.5
1.70V/cell	379.7	334.1	264.8	214.1	155.9	142.9	103.7	84.1	64.7	51.5	43.7	38.4	30.4	25.5	13.7
1.67V/cell	394.7	344.4	272.1	216.0	158.1	145.2	105.5	85.6	65.5	51.8	44.3	38.6	30.6	25.6	13.8
1.60V/cell	400.3	349.3	275.9	217.0	158.9	148.5	107.3	86.7	66.0	52.5	45.1	39.1	30.7	25.8	14.0

LPG SERIES-GEL BATTERY

LPG12-125 (12V125Ah)



APPLICATIONS

- Telecommunications
- Solar system
- Wind power system
- Engine starting
- Wheelchair, Floor cleaning machines, Golf trolley, Boats

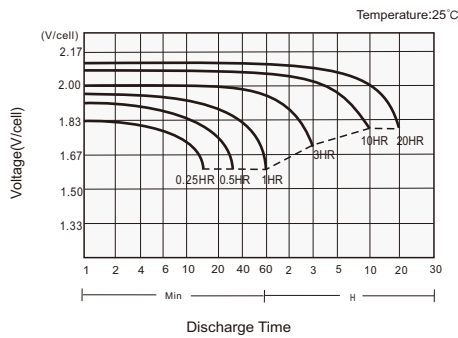
GENERAL FEATURES

- 12 years design life (25°C)
- Gelled electrolyte for superior thermal management, long float life
- Efficient gas recombination decreases gassing/water and extends battery life
- Robust design - resilient in harsh conditions
- Proof against deep discharge - greater long-term energy delivery and cycle life

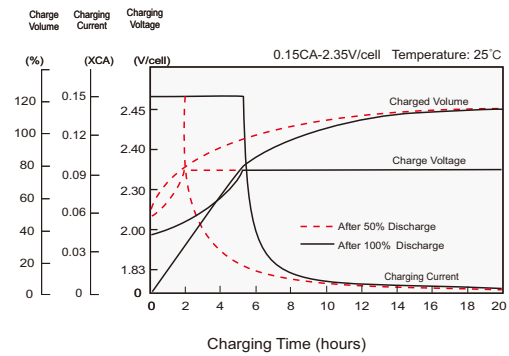
STANDARDS

- IEC60896 Certified
- Classified as "Long Life" according to Eurobat
- UL, CE Approved
- Manufactured in Leoch@IATF16949, ISO 45001, ISO 9001 and ISO 14001 certified production facilities

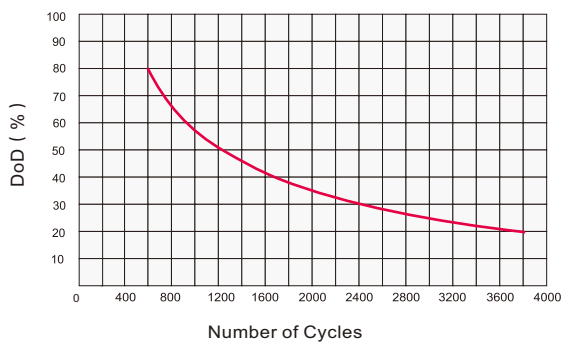
Discharge Characteristics



Charging Characteristics



Cycle Life in Relation to DoD



Self Discharge Characteristics

