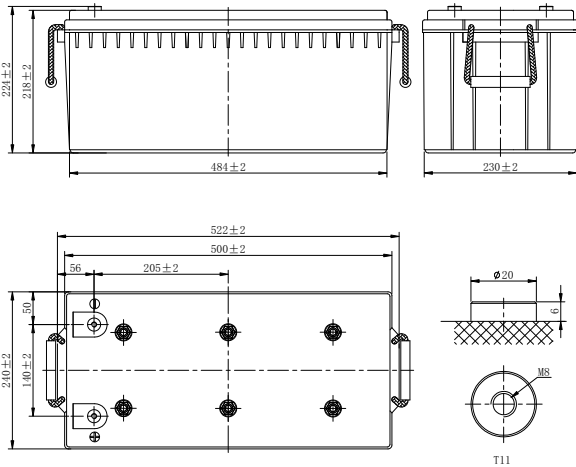


LPG SERIES-GEL BATTERY

LPG12-200 (12V200Ah)



CHARACTERISTICS

Item	Specifications	
Rated Voltage	12V	
Nominal Capacity (25°C)	C ₂₀ 1.80V/cell	200Ah
Dimension	Length	522mm (20.6inches)
	Width	240mm (9.45inches)
	Container Height	218mm (8.58inches)
	Total Height	224mm (8.82inches)
Approx Weight	62.3kg (137.3lbs)	
Terminal	T11(M8)	
Container Material	ABS (UL94 HB or V-0 optional)	
Short-circuit current	3200A	
Internal Resistance (25°C)	Approx 4.6 mΩ (Fully charged)	
Operating Temp. Range	Discharge	-20~60°C (-4~140°F)
	Charge	-20~40°C (-4~104°F)
	Storage	-20~50°C (-4~122°F)
Nominal Operating Temp. Range	25±3°C (77±5°F)	
Max.Charging Current (25°C)	0.25C	
Charge voltage (25°C)	Standby Use	Cycle Use
	2.23-2.27V/cell	2.35-2.40V/cell
Temp. Coefficient	-3mV/cell/°C	-5mV/cell/°C
	40°C (104°F)	103%
Effect of temp. to Capacity	25°C (77°F)	100%
	0°C (32°F)	86%
	≤2.5% per month at 25°C (77°F). LPG series batteries may be stored up to 9 months at 25°C (77°F) and then a freshening charge is required. For higher temperatures the time interval will be shorter.	
Self Discharge		

DISCHARGE TABLE

Constant Current Discharge (Amperes) at 25°C (77°F)															
F./V/Time	10min	15min	20min	30min	45min	1h	1.5h	2h	3h	4h	5h	6h	8h	10h	20h
1.85V/cell	250.0	216.8	170.5	154.2	112.8	89.3	69.2	55.2	43.8	35.6	31.0	27.1	22.0	18.6	9.62
1.80V/cell	283.8	245.7	192.7	167.9	119.5	98.8	73.5	60.8	48.1	38.7	32.6	28.7	22.9	19.0	10.0
1.75V/cell	307.8	266.0	208.1	171.3	123.8	110.8	80.4	65.2	50.1	39.9	33.6	29.6	23.3	19.4	10.4
1.70V/cell	322.0	279.4	219.0	172.5	125.7	114.3	82.3	66.4	50.9	40.0	34.1	29.7	23.5	19.6	10.5
1.67V/cell	338.6	290.7	226.7	177.3	128.1	116.5	84.0	67.8	51.6	40.6	34.6	30.1	23.7	19.8	10.6
1.60V/cell	350.2	299.7	232.5	179.9	130.0	120.3	86.3	69.3	52.3	41.3	35.3	30.6	23.9	20.0	10.8
Constant Power Discharge (Watts/cell) at 25°C (77°F)															
F./V/Time	10min	15min	20min	30min	45min	1h	1.5h	2h	3h	4h	5h	6h	8h	10h	20h
1.85V/cell	470.4	410.5	324.3	294.7	216.8	173.6	134.8	107.9	86.0	70.0	61.0	53.5	43.5	36.9	19.2
1.80V/cell	526.2	459.2	362.7	318.3	228.2	190.7	142.4	118.2	94.0	75.8	64.1	56.4	45.2	37.5	19.9
1.75V/cell	561.6	490.0	387.1	320.3	235.1	212.3	154.9	126.2	97.3	76.8	65.8	57.6	45.8	38.2	20.6
1.70V/cell	577.2	507.9	402.4	321.5	236.9	217.2	157.5	127.8	98.4	77.7	66.4	58.0	46.2	38.6	20.9
1.67V/cell	600.0	523.6	413.6	328.4	240.3	220.7	160.2	130.0	99.6	78.8	67.3	58.7	46.5	38.9	21.0
1.60V/cell	608.4	530.9	419.4	329.8	241.5	225.7	163.1	131.8	100.3	79.7	68.5	59.4	46.7	39.2	21.3

LPG SERIES-GEL BATTERY

LPG12-200 (12V200Ah)



APPLICATIONS

- Telecommunications
- Solar system
- Wind power system
- Engine starting
- Wheelchair, Floor cleaning machines, Golf trolley, Boats

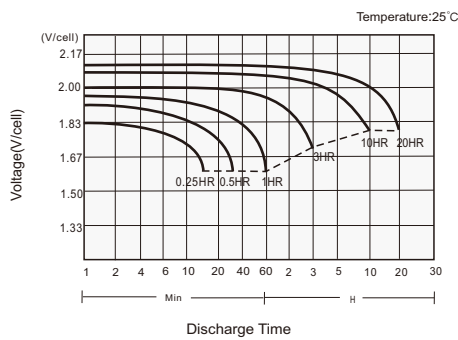
GENERAL FEATURES

- 12 years design life (25°C)
- Gelled electrolyte for superior thermal management, long float life
- Efficient gas recombination decreases gassing/water and extends battery life
- Robust design - resilient in harsh conditions
- Proof against deep discharge - greater long-term energy delivery and cycle life

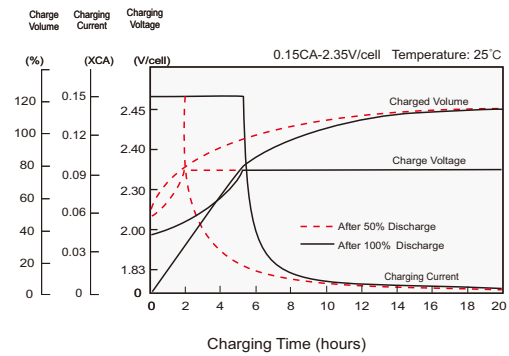
STANDARDS

- IEC60896 Certified
- Classified as "Long Life" according to Eurobat
- UL, CE Approved
- Manufactured in Leoch@IATF16949, ISO 45001, ISO 9001 and ISO 14001 certified production facilities

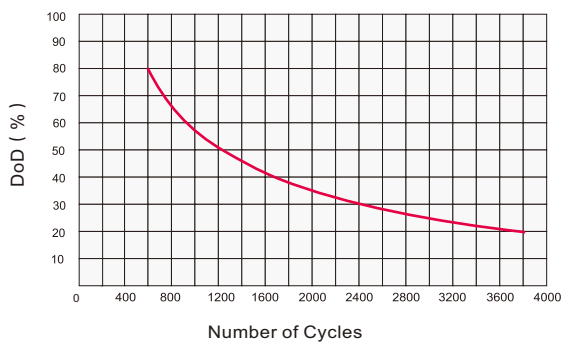
Discharge Characteristics



Charging Characteristics



Cycle Life in Relation to DoD



Self Discharge Characteristics

