

MARINE AGM DUAL PURPOSE BATTERY

LPM12-180M (12V180Ah)



CHARACTERISTICS

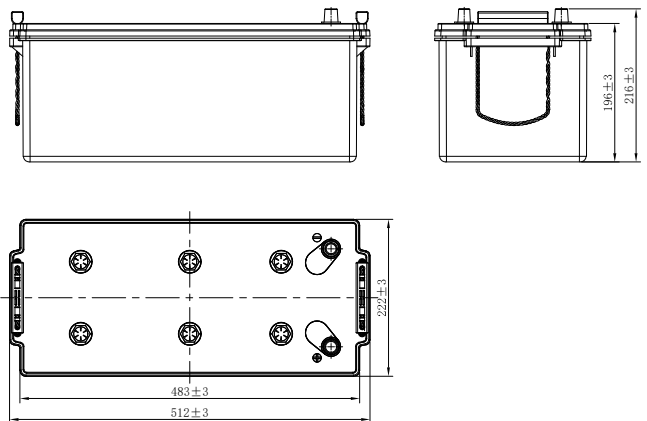
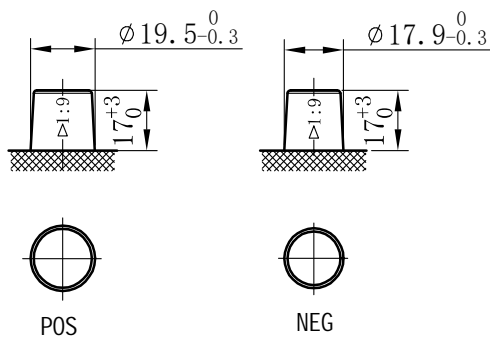
| Item | Specifications | |
|--------------------------------|------------------------------|--------------------|
| Nominal Voltage | 12V | |
| Nominal Capacity (20HR) | 180Ah | |
| Reserve Capacity | 380min | |
| Cold Cranking Amps@0°F (-18°C) | 900A | |
| Dimension | Length | 512mm (20.2inches) |
| | Width | 222mm (8.74inches) |
| | Container Height | 196mm (7.72inches) |
| | Total Height (with Terminal) | 216mm (8.50inches) |
| Approx Weight | 50.5kg (111.3lbs) | |
| Terminal | 5 | |
| Cell layout | 3 | |
| Hold-Down | B0 | |
| Case | Black-PP Material | |
| Cover | Black-PP Material | |
| Handle | TS8 | |

APPLICATIONS

- MARINE and RV
- Start and deep cycle

GENERAL FEATURES

- Superior starting and cycling performance
- High capacity and high CCA
- 2x faster charge acceptance than conventional starter batteries
- 3x higher cycle life than conventional starter batteries
- Advanced Absorbed Glass Mat (AGM) technology



*Values are subject to variation of +/- 5% in normal manufacturing processes.

Leoch International Technology Ltd.
www.leoch.com

Leoch Batteries Pte Ltd
www.leoch.sg

Leoch Battery Corporation
www.leochamericas.com

Leoch Europe S.A.
www.leoch.eu