

AUXILIARY BATTERY

EB14E-4 (12V14Ah)



CHARACTERISTICS

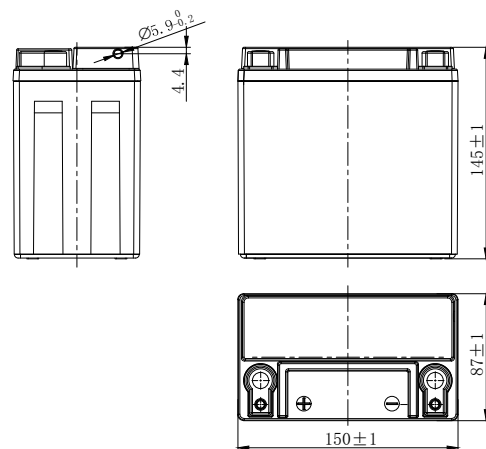
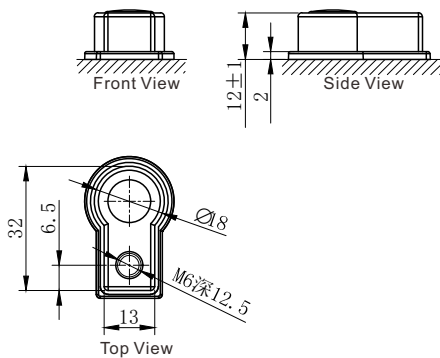
Item	Specifications	
Nominal Voltage	12V	
Nominal Capacity (20HR)	14Ah	
Cold Cranking Amps@0°F (-18°C)	245A	
Dimension	Length	150mm (5.91inches)
	Width	87mm (3.43inches)
	Height	145mm (5.71inches)
Approx Weight	5.30kg (11.7lbs)	
Terminal	O	
Cell layout	1	
Hold-Down	B0	
Case	Black-PP Material	
Cover	Black-PP Material	
Handle	/	

APPLICATIONS

- High-end car auxiliary
- Safety assistant

GENERAL FEATURES

- VRLA technology with long life
- Modified PP material case and cover, with high strength and impact resistance
- Top-level safety - absolutely no free acid
- Absorb the instantaneous overvoltage in the vehicle circuit, protect the vehicle circuit from damage
- Uninterruptible power supply for safety components and escort for safety during driving
- OE quality certification



*Values are subject to variation of +/- 5% in normal manufacturing processes.

Leoch International Technology Ltd.
www.leoch.com

Leoch Batteries Pte Ltd
www.leoch.sg

Leoch Battery Corporation
www.leochamericas.com

Leoch Europe S.A.
www.leoch.eu