

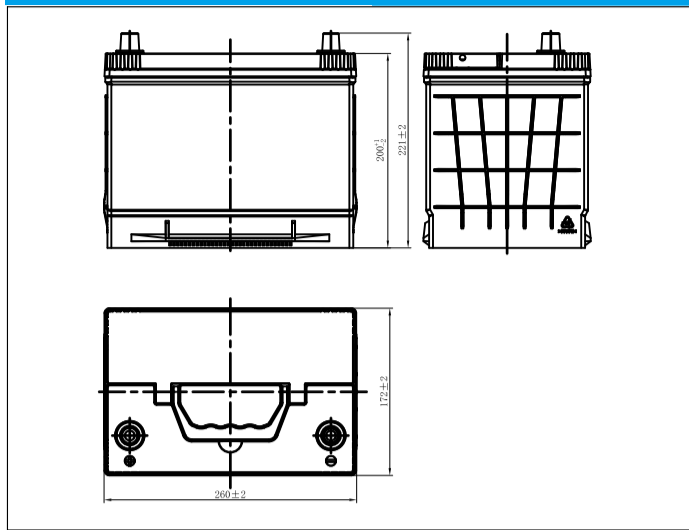


LEOCH BATTERY

EFB-D26 (12V75Ah)



Dimensions (mm)



Electrical Specification

Rated Capacity	20 hour rate(3.75A)	75Ah
Reserve Capacity	128min	
Cold Cranking Performance Amps@0°F(-18°C)	660A	

Standard Terminal (mm) Cell Layout

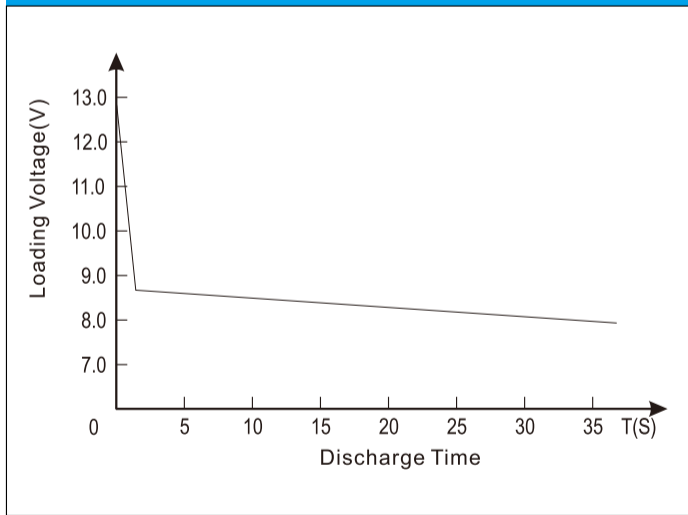
Terminal Type	D	
	Positive	Negative
1	19.5 ⁰ _{-0.3}	17.9 ⁰ _{-0.3}

Figure(1)

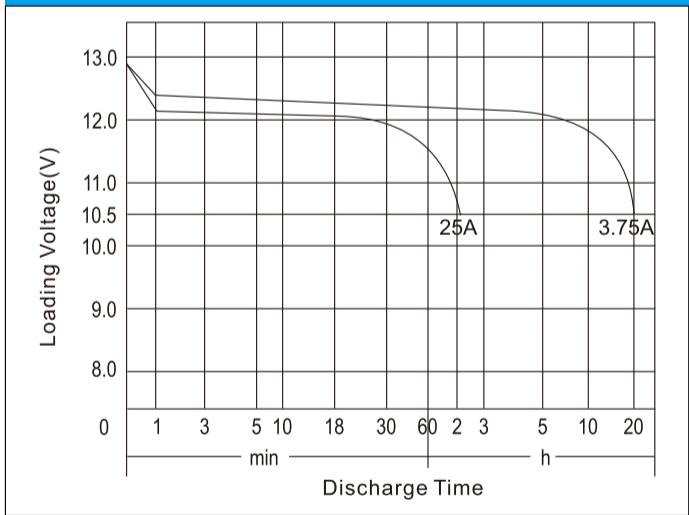
Physical Specification

Nominal Voltage	12V	
Nominal Capacity(20HR)	75Ah	
Dimension	Length	260±2mm(10.24inches)
	Width	172±2mm(6.77inches)
	Container Height	200 +1/-2mm(7.87inches)
	Total Height(with Terminal)	221 ± 2mm(8.7inches)
Wet Weight	Approx20.2Kg(44.1lbs)	
Standard Terminal	1	
Cell layout	1	
Hold-Down	B01	
Cell plate qty	/	
Case	Black-PP Material	
Cover	Black-PP Material	
Handle	/	

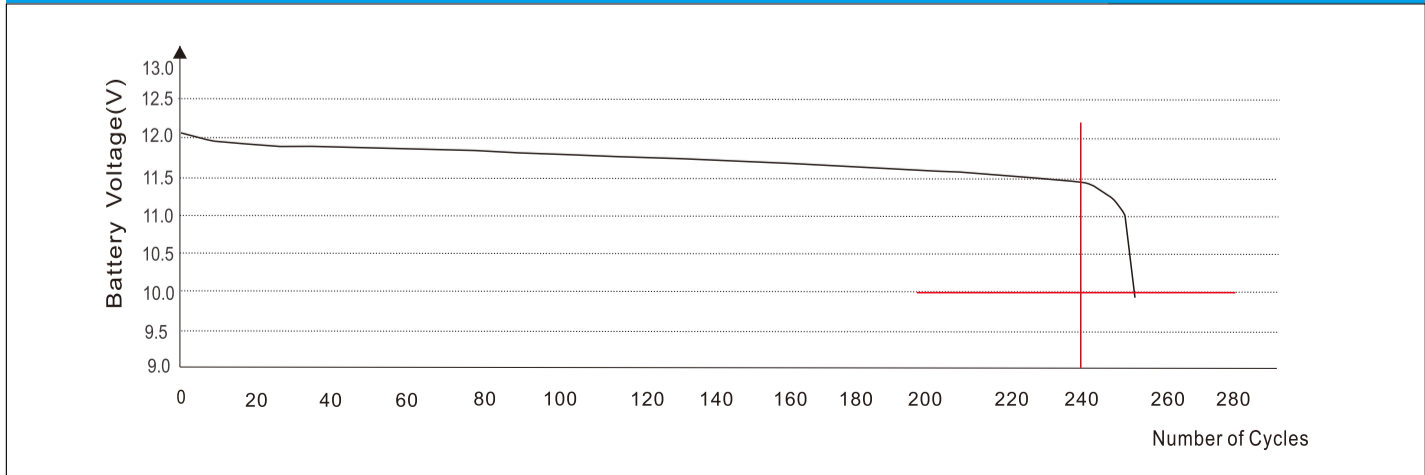
Discharge Characteristics(-18°C,0°F)



Discharge Characteristics(25°C,70°F)



50% DOD Cycle Life Characteristics



*Values are subject to variation of +/- 5% in normal manufacturing processes.
 *Technical specifications and the product line above could be changed without prior notice.