

EFB START-STOP BATTERY

EFB-L5 (12V100Ah)



CHARACTERISTICS

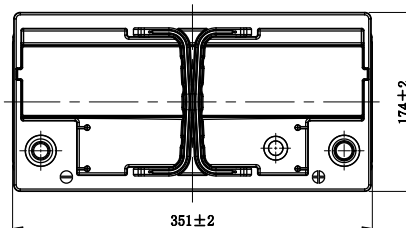
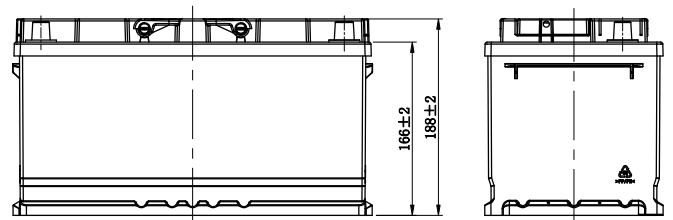
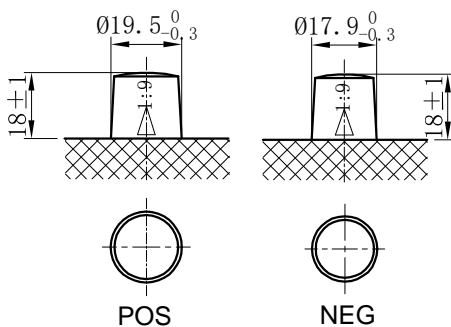
Item	Specifications	
Nominal Voltage	12V	
Nominal Capacity (20HR)	100Ah	
Reserve Capacity	180min	
Cold Cranking Amps@0°F (-18°C)	800A	
Dimension	Length	351mm(13.8inches)
	Width	174mm(6.85inches)
	Height	188mm(7.40inches)
Approx Weight	25kg(55.1lbs)	
Terminal	1	
Cell layout	0	
Hold-Down	B13	
Case	Black-PP Material	
Cover	Black-PP Material	
Handle	TS6	

APPLICATIONS

- Car with start-stop system
- EV/HEV
- Engine start

GENERAL FEATURES

- High capacity and high CCA
- 2x Faster Charge Acceptance than conventional starter batteries
- 2x Higher Cycle Life than conventional starter batteries
- Strong alloy grids for rugged durability and improved tolerance in extreme temperature conditions
- OE quality certification



*Values are subject to variation of +/- 5% in normal manufacturing processes.

Leoch International Technology Ltd.

www.leoch.com

Leoch Batteries Pte Ltd

www.leoch.sg

Leoch Battery Corporation

www.leochamericas.com

Leoch Europe S.A.

www.leoch.eu

Data above is recommended and the picture is only for battery effect display, Leoch reserve the final right of explanation.
© LEOCH. All rights reserved. Trademarks and logos are the property of LEOCH and its affiliates unless otherwise noted. Subject to revisions without prior notice. E&OE.

Publication No.: LB-EFB-L5-PD-EN-V1.1-20250709