



LEOCH BATTERY

BCI U1R-320 (12V27Ah)



Physical Specification (mm)

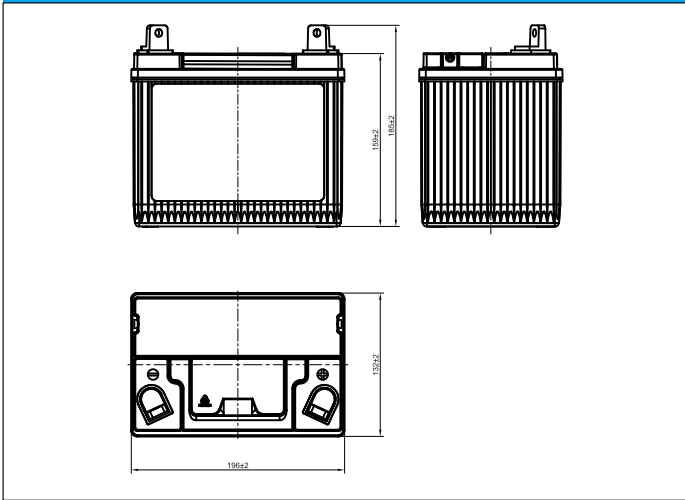
| | | |
|------------------------|-----------------------------|-------------------------------------|
| Nominal Voltage | | 12V |
| Nominal Capacity(20HR) | | 27Ah |
| Dimension | Length | 196±2mm(7.72inches) |
| | Width | 132±2mm(5.20inches) |
| | Container Height | 159±2mm(6.26inches) |
| | Total Height(with Terminal) | 185±2mm(7.28inches) |
| Weight | | Approx 8.0Kg(17.7lbs) |
| Acid | | 1.280±0.015g/cm ³ (25°C) |
| Standard Terminal | | 4 |
| Cell layout | | 0 |
| Hold-Down | | B0 |
| Cell plate qty | | / |
| Case | | Black-PP Material |
| Cover | | Black-PP Material |
| Handle | | Black-PP Material |
| QTY/PLT/layer | | / |

Standard Terminal (mm) Cell Layout

| | | |
|---------------|---|------------------|
| Terminal Type | 4 | <p>Figure(0)</p> |
| | | |

*Values are subject to variation of +/- 5% in normal manufacturing processes.
 **Technical specifications and the product line above could be changed without prior notice.

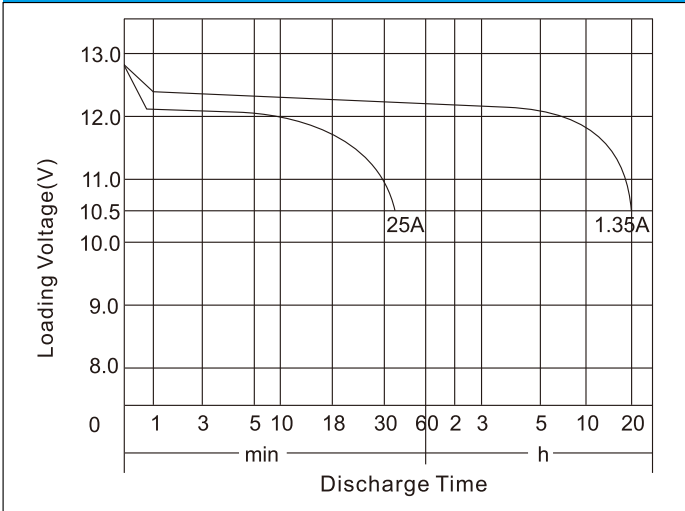
Dimensions (mm)



Electrical Specification

| | | |
|---|---------------------|-------|
| Rated Capacity | 20 hour rate(1.35A) | 27Ah |
| Reserve Capacity | | 37min |
| Cold Cranking Performance Amps@0°F(-18°C) | | 320A |

Discharge Characteristics(25°C,70°F)



Discharge Characteristics(-18°C,0°F)

