

# FLOODED BATTERY

55415 (12V54Ah)



## CHARACTERISTICS

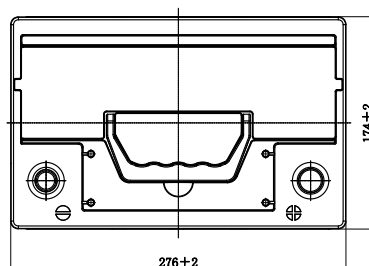
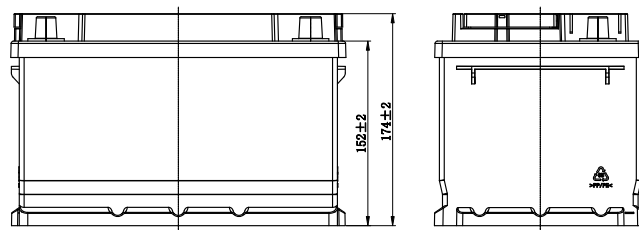
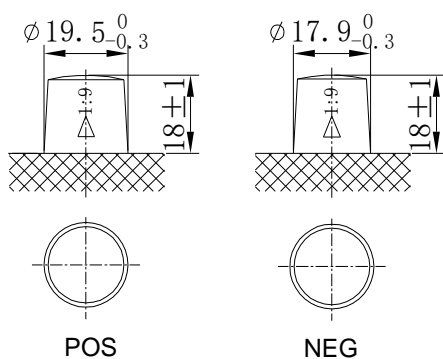
| Item                           | Specifications    |                    |
|--------------------------------|-------------------|--------------------|
| Nominal Voltage                | 12V               |                    |
| Nominal Capacity (20HR)        | 54Ah              |                    |
| Reserve Capacity               | 87min             |                    |
| Cold Cranking Amps@0°F (-18°C) | 460A              |                    |
| Dimension                      | Length            | 276mm (10.9inches) |
|                                | Width             | 174mm (6.85inches) |
|                                | Height            | 174mm (6.85inches) |
| Approx Weight                  | 15.1kg (33.3lbs)  |                    |
| Terminal                       | 1                 |                    |
| Cell layout                    | 0                 |                    |
| Hold-Down                      | B13               |                    |
| Case                           | Black-PP Material |                    |
| Cover                          | Black-PP Material |                    |
| Handle                         | TS1               |                    |

## APPLICATIONS

- Car start
- EV/HEV
- Engine start

## GENERAL FEATURES

- High capacity and high CCA
- Long life
- Advanced lead-calcium alloy technology, maintenance-free design
- Patented venting system bring less water loss and prevent acid leakage
- OE quality certification



\*Values are subject to variation of +/- 5% in normal manufacturing processes.

Leoch International Technology Ltd.  
[www.leoch.com](http://www.leoch.com)

Leoch Batteries Pte Ltd  
[www.leoch.sg](http://www.leoch.sg)

Leoch Battery Corporation  
[www.leochamericas.com](http://www.leochamericas.com)

Leoch Europe S.A.  
[www.leoch.eu](http://www.leoch.eu)