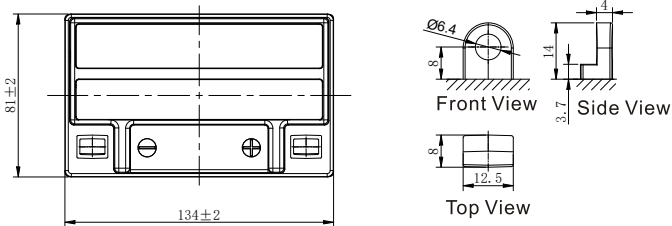
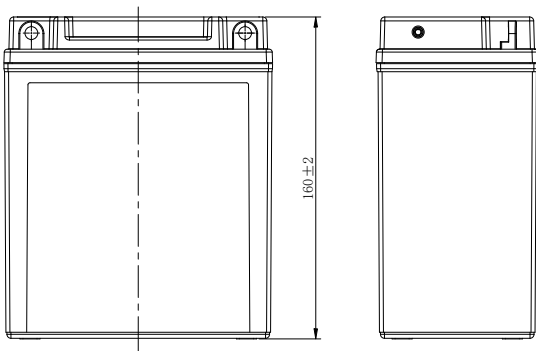


MAINTENANCE-FREE MOTORCYCLE BATTERY

HPG12E-3 (12V12Ah)



GENERAL FEATURES

- Longer lifespan
- Lower self-discharge
- Totally Maintenance-free
- Shipped pre-charged and ready to install

*Values are subject to variation of +/- 5% in normal manufacturing processes.

Leoch International Technology Ltd.
www.leoch.com

Leoch Batteries Pte Ltd
www.leoch.sg

Leoch Battery Corporation
www.leochamericas.com

Leoch Europe S.A.
www.leoch.eu

CHARACTERISTICS

Item	Specifications	
Nominal Voltage	12V	
Nominal Capacity (10HR)	12Ah	
Cold Cranking Performance Amps@0°F (-18°C)	135A	
Dimension (±2mm)	Length	134mm (5.28inches)
	Width	81mm (3.19inches)
	Container Height	160mm (6.30inches)
	Total Height	160mm (6.30inches)
Battery (with acid)	Approx Weight	3.88kg (8.55lbs)
Terminal type	B	
Battery type	HPG Series	
Constant-Voltage Charge:		
Initial charging current	Less than 0.3C ₁₀	
Voltage Full Charge	14.40V~15.00V at 25°C (77°F)	
Charging time	15~18h	
Constant-Current Charge:		
Charging current 0.1C ₁₀ , when charging voltage up to 14.40V, continue to charge 4h		
Initial charging current		Unlimited
Floating Charge Voltage	13.50V~13.80V at 25°C (77°F)	
Capacity affected by Temperature	40°C (104°F)	106%
	25°C (77°F)	100%
	0°C (32°F)	86%
	-15°C (5°F)	65%

Discharge Characteristics (25°C, 77°F)

