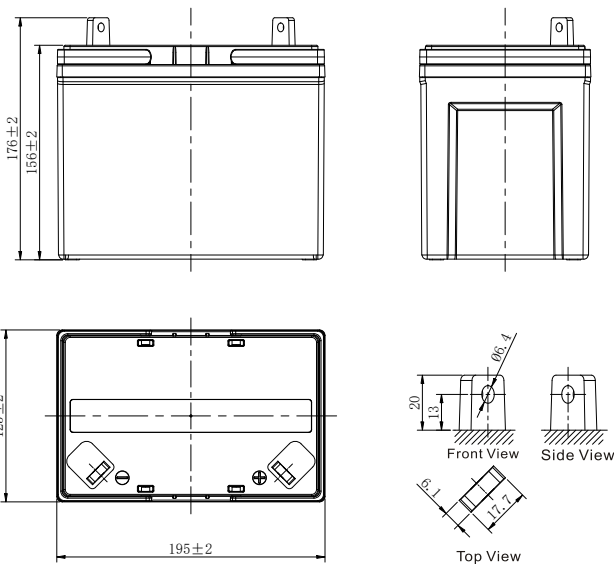


MAINTENANCE-FREE MOTORCYCLE BATTERY

HPGU1R-4-P (12V25Ah)



GENERAL FEATURES

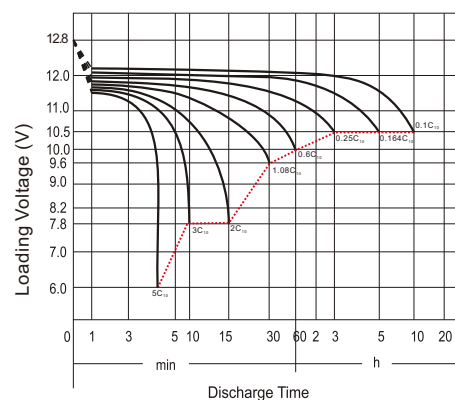
- Maintenance-free
- Sealed and non-spillable AGM battery
- Shipped pre-charged and ready to install

*Values are subject to variation of +/- 5% in normal manufacturing processes.

CHARACTERISTICS

| Item | Specifications | |
|--|---|------------------------------|
| Nominal Voltage | 12V | |
| Nominal Capacity (10HR) | 25Ah | |
| Cold Cranking Performance Amps@0°F (-18°C) | 320A | |
| Dimension (±2mm) | Length | 195mm (7.68inches) |
| | Width | 125mm (4.92inches) |
| | Container Height | 156mm (6.14inches) |
| | Total Height | 176mm (6.93inches) |
| Battery (with acid) | Approx Weight | 8.34kg (18.4lbs) |
| Terminal type | G | |
| Battery type | Factory Activated Series | |
| Full Charge | Constant-Voltage Charge: | |
| | Initial charging current | Less than $0.3C_{10}$ |
| | Voltage | 14.40V~15.00V at 25°C (77°F) |
| | Charging time | 15~18h |
| | Constant-Current Charge: | |
| | Charging current 0.1C ₁₀ , when charging voltage up to 14.40V, continue to charge 4h | |
| Floating Charge | Initial charging current | Unlimited |
| | Voltage | 13.50V~13.80V at 25°C (77°F) |
| Capacity affected by Temperature | 40°C (104°F) | 106% |
| | 25°C (77°F) | 100% |
| | 0°C (32°F) | 86% |
| | -15°C (5°F) | 65% |

Discharge Characteristics (25°C, 77°F)



Leoch International Technology Ltd.
www.leoch.com

Leoch Batteries Pte Ltd
www.leoch.sg

Leoch Battery Corporation
www.leochamericas.com

Leoch Europe S.A.
www.leoch.eu