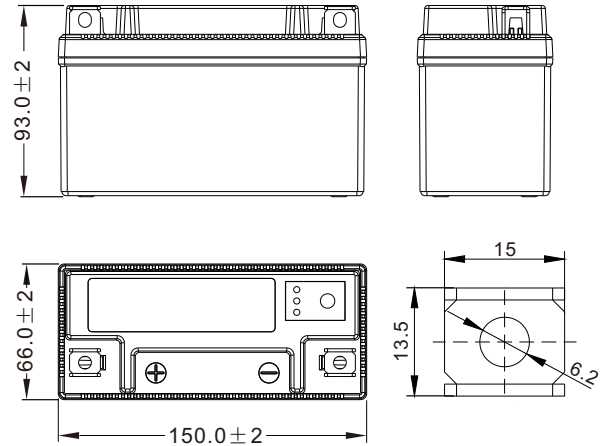


Physical Specification

Nominal Voltage		12.8V
Nominal Capacity (10Hr)		Ah
Dimension	Length	150 ± 2mm (5.91 inches)
	Width	66 ± 2mm (2.60 inches)
	Container Height	93 ± 2mm (3.66 inches)
	Total Height (with Terminal)	93 ± 2mm (3.66 inches)
Weight	Approx 0.6 kg (1. lbs)	

- * Motorcycle Li-ion battery
- * Maintenance-free
- * Powerful cold cranking amps
- * Shipped pre-charged and ready to install
- * Replaces YT7B-BS/YT9B-BS 7 % %6 battery



Dimensions (mm)

Electrical Specification

Rated Capacity	0.1C rate (0. A)	.0Ah
	0.5C rate (1.5A)	.0Ah
	10C rate (30.0A)	. Ah
	30C rate (90.0A)	5S
Capacity affected by Temperature	40 °C (104 °F)	98%
	25 °C (77 °F)	100%
	0 °C (32 °F)	85%
	-20 °C (-4 °F)	60%
Self Discharge	Approximately 1.5% per month (25°C (77°F))	
Charging Methods	Constant-Voltage Charge:	
	Full Charge	Initial charging current: less than . A Voltage: 14.40 V ~ 14.60 V at 25 °C (77 °F)

Curve Specification

