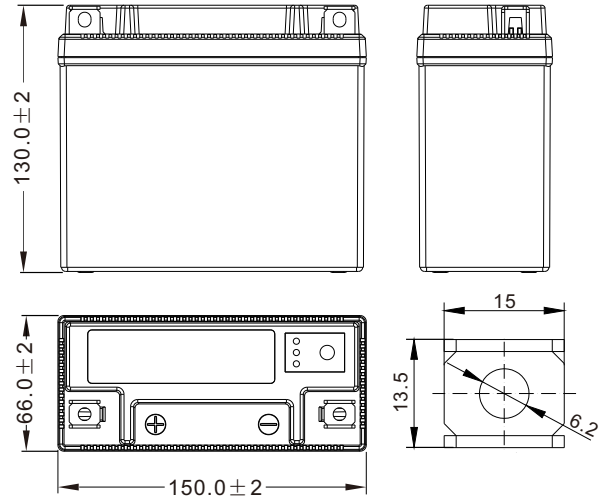


Physical Specification

Nominal Voltage		12.8V
Nominal Capacity (10Hr)		.0Ah
Dimension	Length	150 ± 2mm (5.91 inches)
	Width	66 ± 2mm (2.60 inches)
	Container Height	130 ± 2mm (5.12 inches)
	Total Height (with Terminal)	130 ± 2mm (5.12 inches)
Weight	Approx 0. 2kg (1. lbs)	

- * Motorcycle Li-ion battery
- * Maintenance-free
- * Powerful 150 cold cranking amps
- * Shipped pre-charged and ready to install
- * Replaces YT12B-BS/YT14B-BS/YB16AL-A2 battery

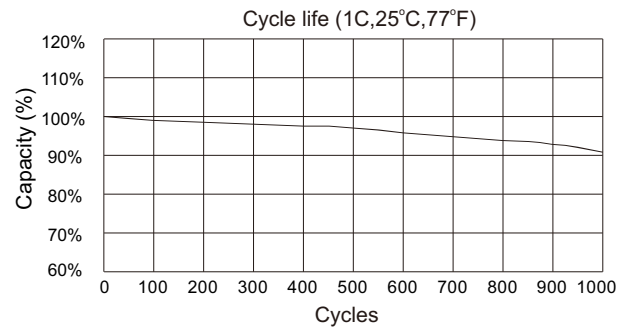
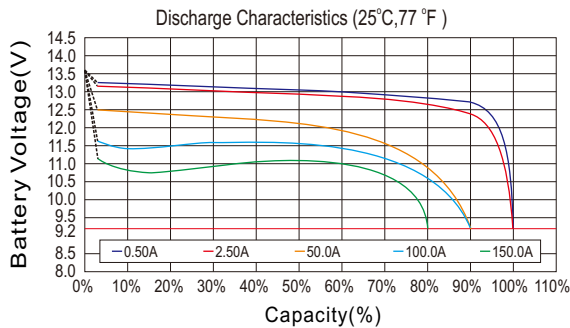


Dimensions (mm)

Electrical Specification

Rated Capacity	0.1C rate (0. A)	Ah
	0.5C rate (2. A)	Ah
	10C rate (. 00A)	. Ah
	30C rate (1 . 00A)	5S
Capacity affected by Temperature	40 °C (104 °F)	98%
	25 °C (77 °F)	100%
	0 °C (32 °F)	85%
	-20 °C (-4 °F)	60%
Self Discharge	Approximately 1.5% per month (25°C (77°F))	
Charging Methods	Constant-Voltage Charge:	
	Full Charge	Initial charging current: less than 2. A Voltage: 14.40 V ~ 14.60 V at 25 °C (77 °F)

Curve Specification



Publication No.: LB-LFPS-12B-PD-EN-V1.4-201806

