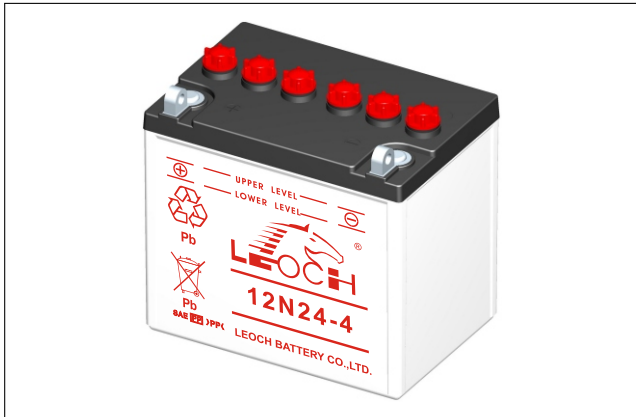
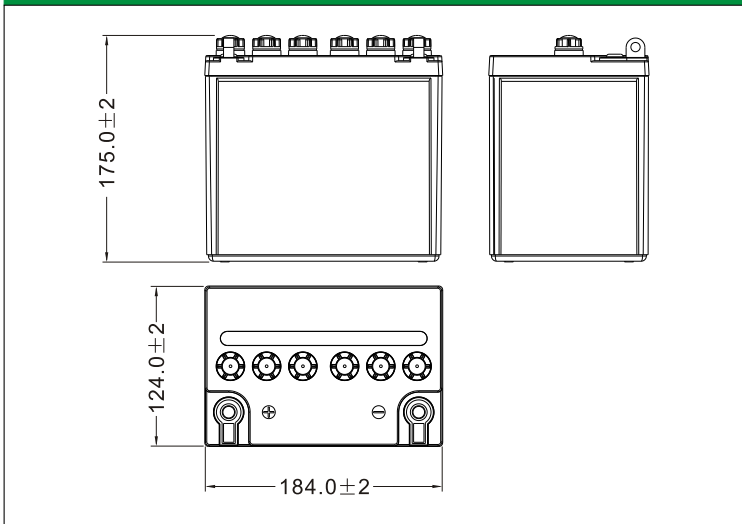




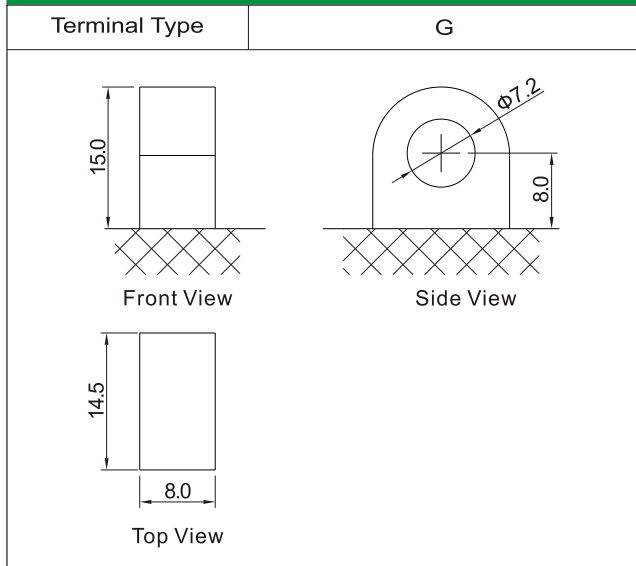
LEOCH BATTERY
12N24-4 [12V24Ah]



Dimensions (mm)



Standard Terminal (mm)

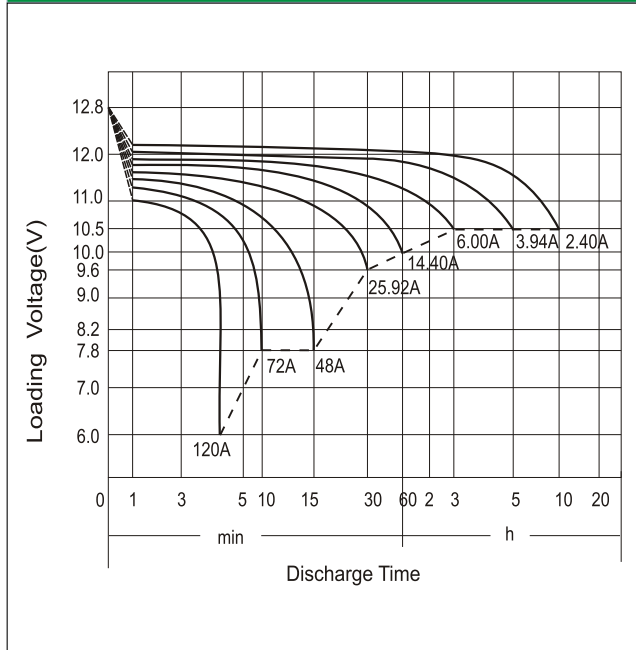


Physical Specification

| | | |
|-------------------------|--|-------------------------|
| Nominal Voltage | 12V | |
| Nominal Capacity (10HR) | 24Ah | |
| Dimension | Length | 184 ± 2mm (7.24 inches) |
| | Width | 124 ± 2mm (4.88 inches) |
| | Container Height | 175 ± 2mm (6.89 inches) |
| | Total Height (with Terminal) | 175 ± 2mm (6.89 inches) |
| Weight | Battery(with acid): Approx 7.52kg (16.58lbs) | |
| | Electrolyte: Approx 2.52kg (5.56lbs) | |

- * High performance and dry charged high quality and flooded battery
- * Low maintenance
- * Powerful 218 cold cranking amps
- * Shipped without battery electrolyte pre-charged and ready to install
- * Replaces none battery

Discharge Characteristics (25°C, 77°F)



Electrical Specification

| | | |
|----------------------------------|------------------------|---|
| Rated Capacity | 10 hour rate (2.40A) | 24.00Ah |
| | 5 hour rate (3.94 A) | 19.68Ah |
| | 2 hour rate (8.40A) | 16.80Ah |
| | 1 hour rate (14.40 A) | 14.40Ah |
| | 0.5 hour rate (25.92A) | 12.96Ah |
| Capacity affected by Temperature | 40 °C (104 °F) | 106% |
| | 25 °C (77 °F) | 100% |
| | 0 °C (32 °F) | 86% |
| | -15 °C (5 °F) | 65% |
| Charging Methods | Full Charge | Constant-Voltage Charge: Initial charging current: less than 7.2A Voltage: 14.40 V ~ 15.00 V at 25 °C (77 °F) Charging time: 16 ~24h Constant-Current Charge: Charging current: 2.4A, when charging voltage up to 15.60V, continue to charge 2h. |
| | Floating Charge | No limit on Initial charging current Voltage: 13.50 V ~ 13.80 V at 25 °C (77 °F) |