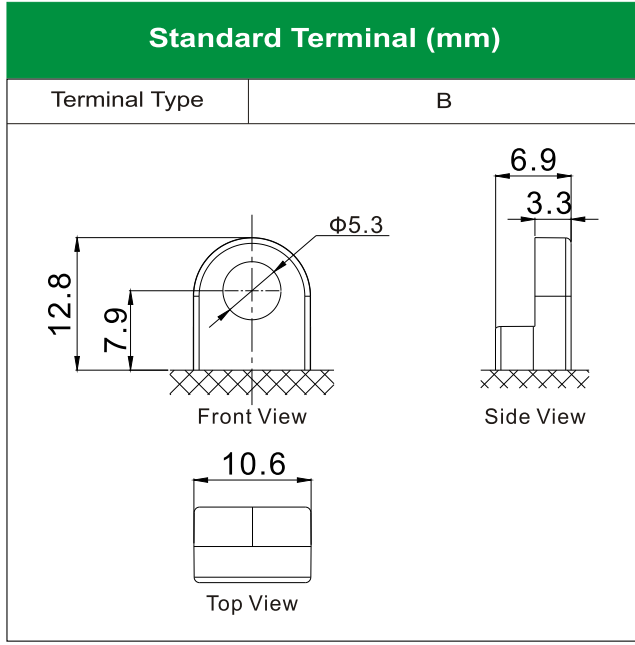
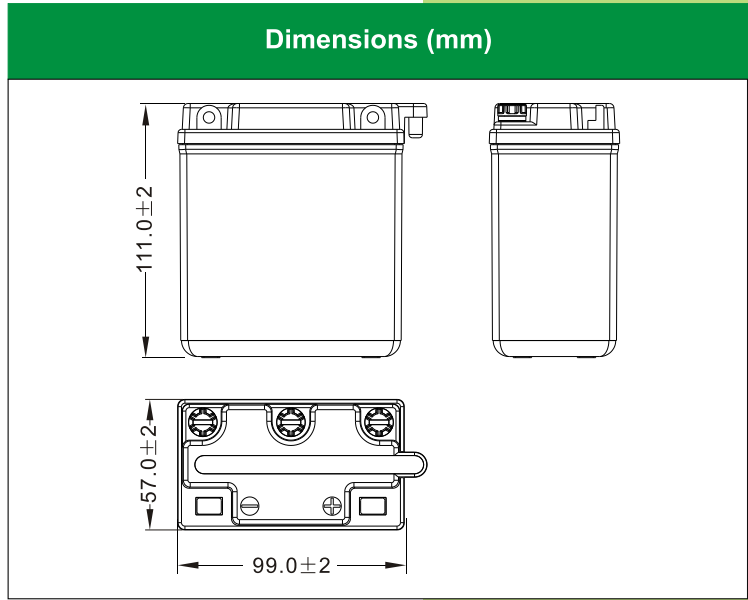




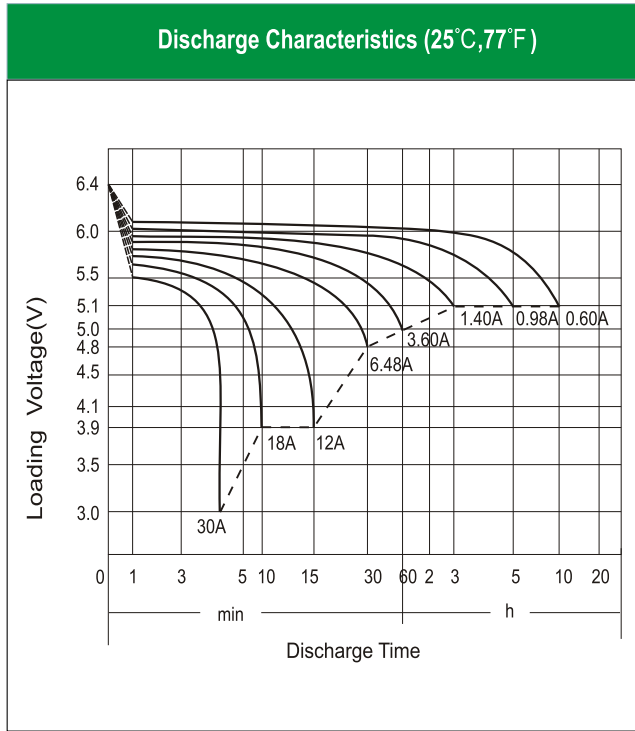
LEOCH BATTERY

6N6-3B-1 16V6Ah



Physical Specification

Nominal Voltage		6V
Nominal Capacity (10HR)		6Ah
Dimension	Length	99±2mm (3.90 inches)
	Width	57±2mm (2.24 inches)
	Container Height	111±2mm (4.37 inches)
	Total Height (with Terminal)	111±2mm (4.37 inches)
Weight	Battery(with acid): Approx 1.24kg (2.74lbs) Electrolyte: Approx 0.37 kg (0.82lbs)	
<ul style="list-style-type: none"> * High performance and dry charged high quality and flooded battery * Low maintenance * Shipped without battery electrolyte pre-charged and ready to install * Replaces none battery 		



Electrical Specification

Rated Capacity	10 hour rate (0.60A)	6.00Ah
	5 hour rate (0.98 A)	4.92Ah
	2 hour rate (2.10 A)	4.20Ah
	1 hour rate (3.60 A)	3.60Ah
	0.5 hour rate (6.48 A)	3.24Ah
Capacity affected by Temperature	40 °C (104 °F)	106%
	25 °C (77 °F)	100%
	0 °C (32 °F)	86%
	-15 °C (5 °F)	65%
Charging Methods	Full Charge	Constant-Voltage Charge: Initial charging current: less than 1.8A Voltage: 7.20 V ~ 7.50 V at 25 °C (77 °F) Charging time: 16 ~24h Constant-Current Charge: Charging current: 0.6A, when charging voltage up to 7.80V, continue to charge 2h.
	Floating Charge	No limit on Initial charging current Voltage: 6.75 V ~ 6.90 V at 25 °C (77 °F)