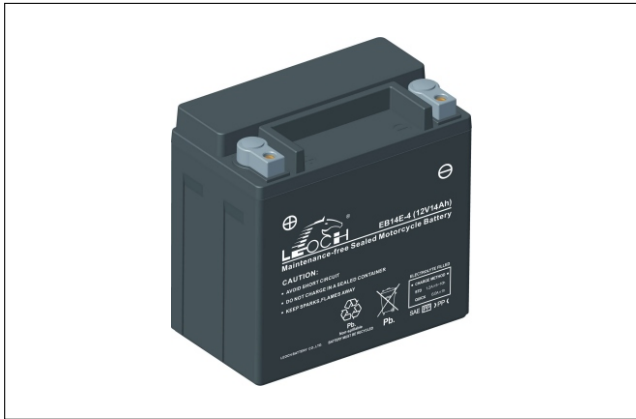


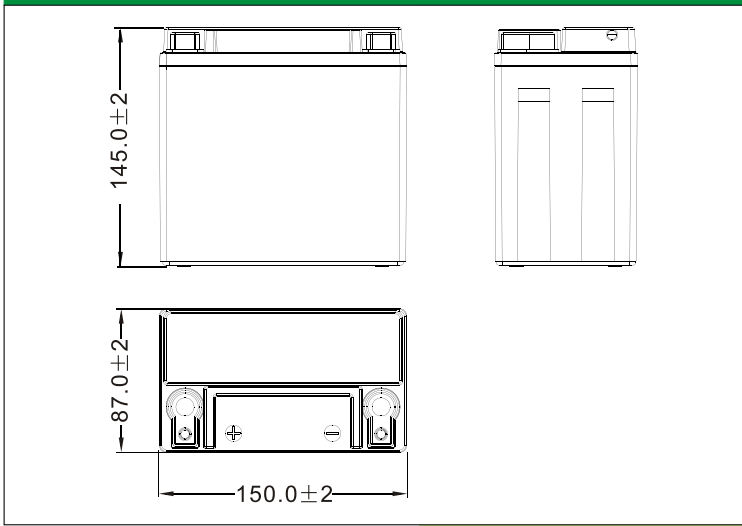


LEOCH BATTERY

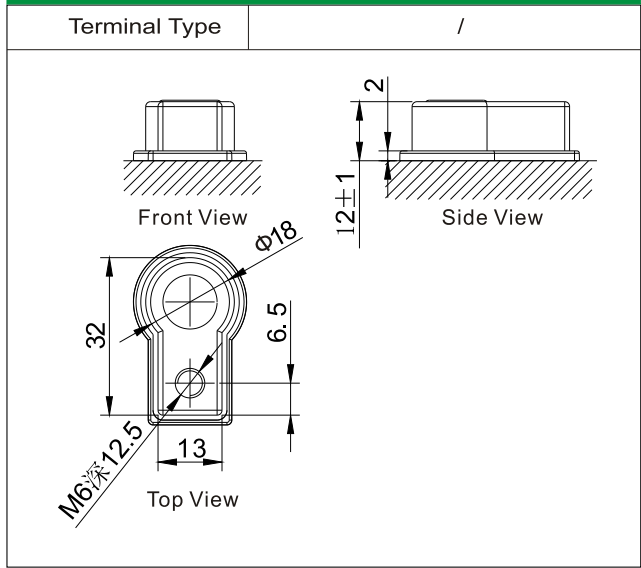
# EB14E-4 (12V14Ah)



## Dimensions (mm)



## Standard Terminal (mm)

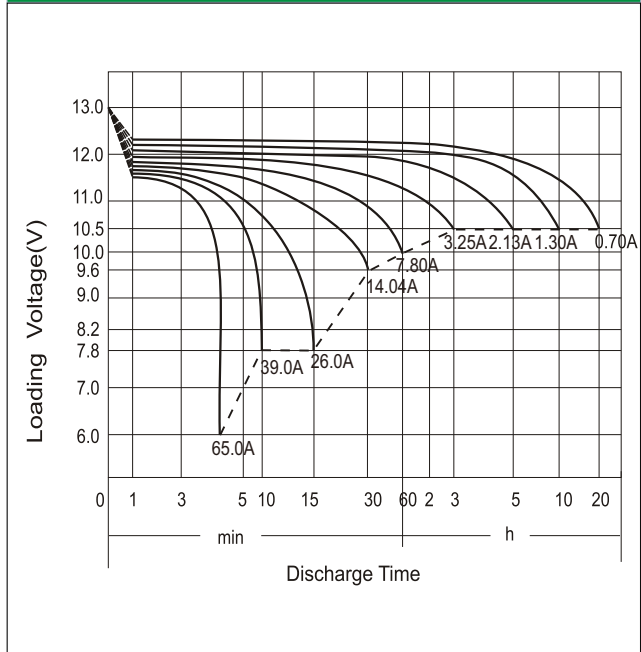


## Physical Specification

|                         |  |                       |
|-------------------------|--|-----------------------|
| Nominal Voltage         | 12V  |                       |
| Nominal Capacity (20HR) | 14Ah   |                       |
| Dimension               | Length                                       | 150±2mm (5.91 inches) |
|                         | Width  | 87±2mm (3.43 inches)  |
|                         | Container Height                             | 145±2mm (5.71 inches) |
|                         | Total Height (with Terminal)                 | 145±2mm (5.71 inches) |
| Weight                  | Battery(with acid): Approx 5.30kg (11.69lbs) |                       |
|                         | Electrolyte: Approx 0.92kg (2.03lbs)         |                       |

- \* Sealed and non-spillable AGM battery
- \* Maintenance-free
- \* Powerful 245 cold cranking amps
- \* Shipped pre-charged and ready to install
- \* Replaces none battery

## Discharge Characteristics (25°C, 77°F)



## Electrical Specification

|                                  |                        |   |
|----------------------------------|------------------------|---|
| Rated Capacity                   | 20 hour rate (0.70 A)  | 14.00Ah   |
|                                  | 10 hour rate (1.30A)   | 13.0Ah  |
|                                  | 5 hour rate (2.13A)    | 10.66Ah   |
|                                  | 2 hour rate (4.55A)    | 9.10Ah  |
|                                  | 1 hour rate (7.80A)    | 7.80Ah  |
|                                  | 0.5 hour rate (14.04A) | 7.02Ah  |
| Capacity affected by Temperature | 40 °C (104 °F)         | 106%  |
|                                  | 25 °C (77 °F)          | 100%  |
|                                  | 0 °C (32 °F)           | 86%   |
|                                  | -15 °C (5 °F)          | 65%   |
| Charging Methods                 | Full Charge            | Constant-Voltage Charge:<br>Initial charging current: less than 3.9A<br>Voltage: 14.40 V ~ 15.00 V at 25 °C (77 °F)<br>Charging time: 15 ~18h<br>Constant-Current Charge:<br>Charging current: 0.1C <sub>10</sub> =1.30A, when charging voltage up to 14.40V, continue to charge 4h |
|                                  | Floating Charge        | No limit on Initial charging current<br>Voltage: 13.50 V ~ 13.80 V at 25 °C (77 °F)   |